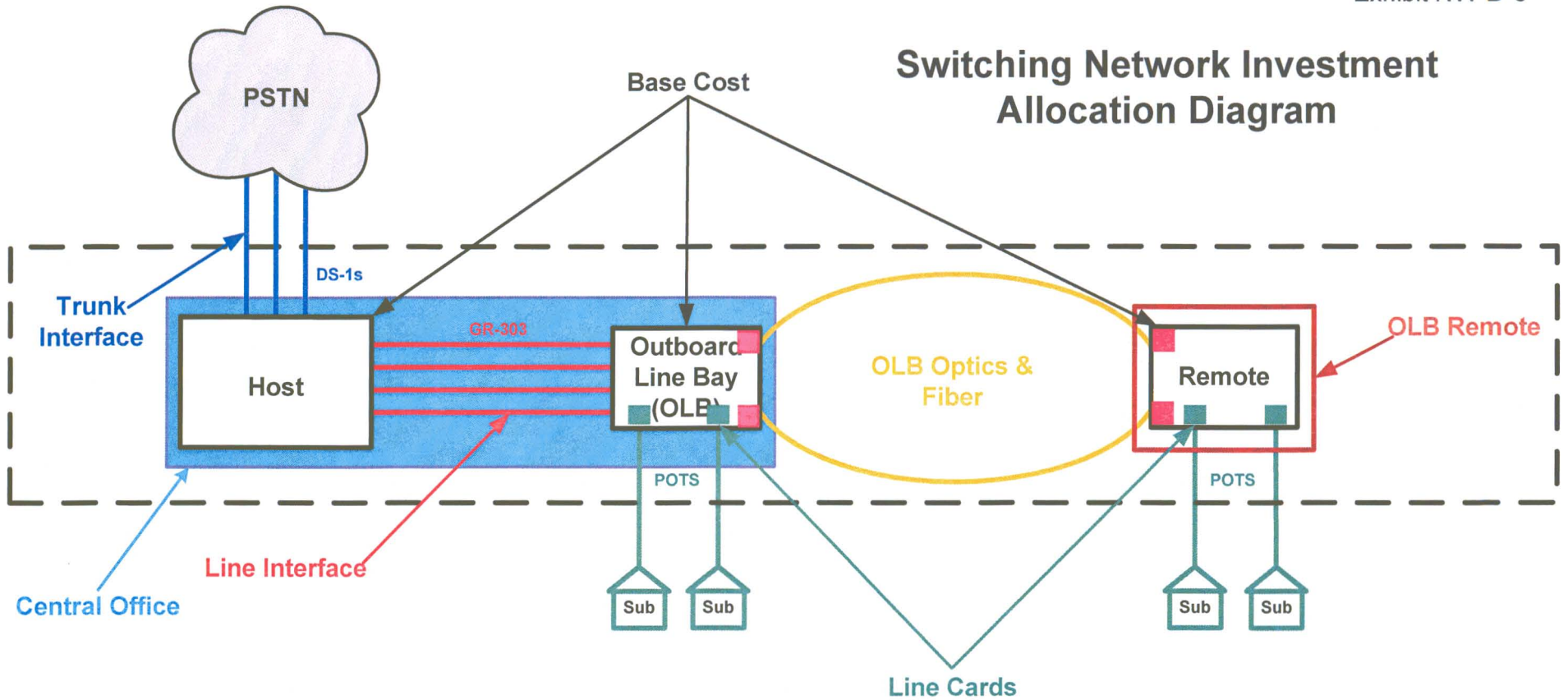


# Switching Network Investment Allocation Diagram



**Base Cost:** Switch Shelf/Commons & OLB Shelf/Commons

**Trunk Interface:** Switch Trunk Interface Cards

**Line Interface:** Switch GR-303 Interface Cards & OLB GR-303 Interface Cards

**Line Cards:** OLB POTS Cards

**OLB Fiber:** Fiber Optic Cable Serving OLB Remotes

**OLB Optics:** OC-48 Transport Optics In CO & Remotes

**OLB Remote:** Cabinet  
Rectifier  
Batteries  
Misc. Hardware

Installation, Engineering, and Taxes

