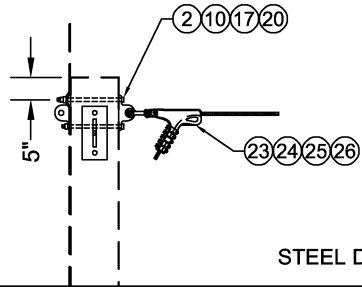
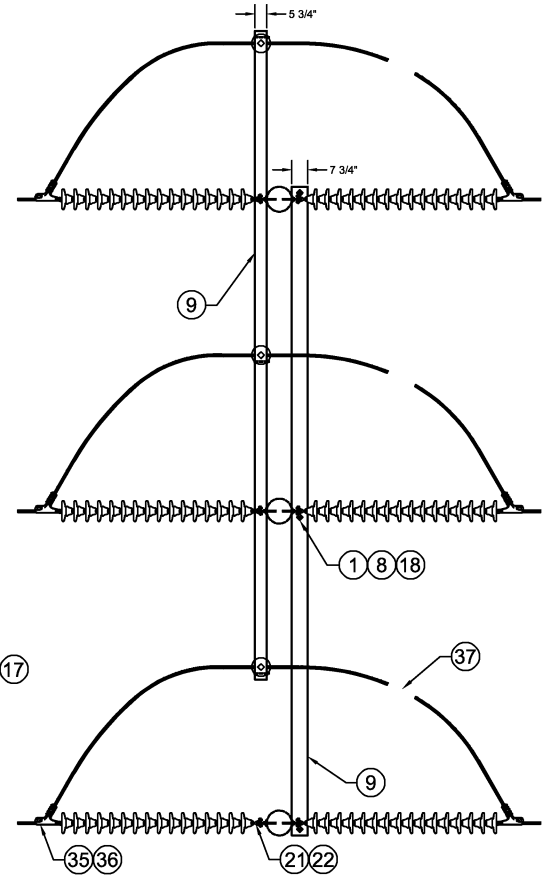
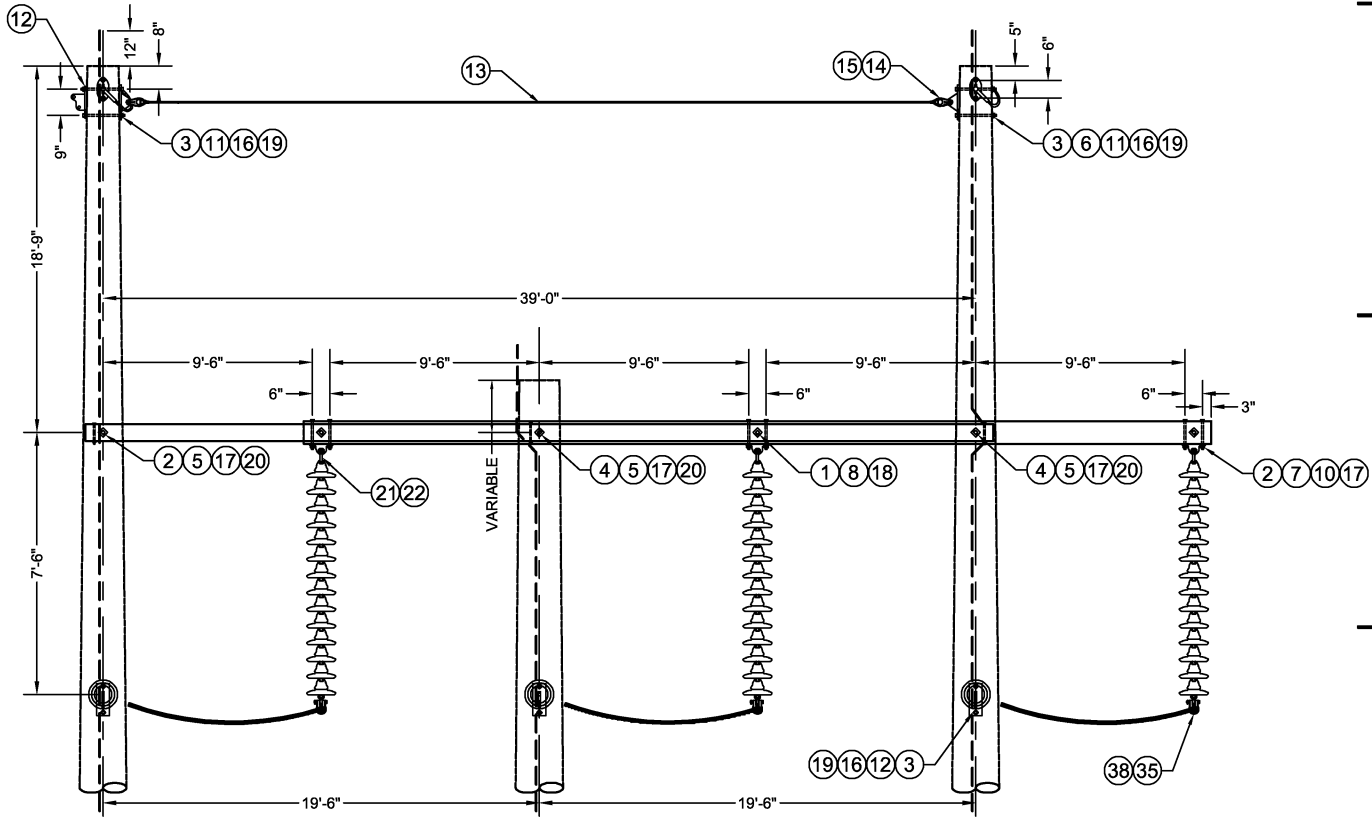


FIBER DEADEND



STEEL DEADEND



DATE:
2/6/24
DRAWN BY:
UEI - EEE
SCALE:
NTS
PLOT SCALE:
1:1

East River
ELECTRIC
A Touchstone Energy® Cooperative

PCP FILE: ERTYPLT.ctb	SHEET 1 OF 1	DRAWING NO: TH-5BD-230
--------------------------	-----------------	---------------------------

TH-5BD-230
230KV 3-POLE DOUBLE
DEADEND STRUCTURE