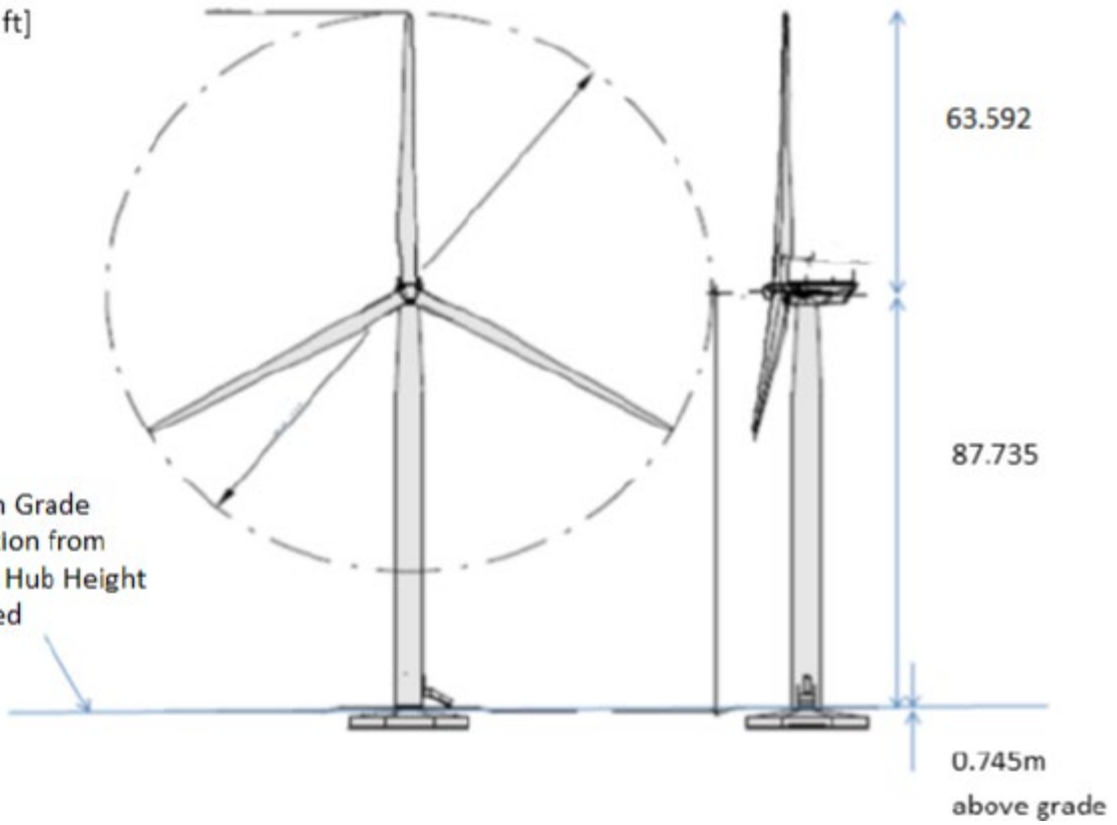




152.072m Tip Height  
[498.9 ft]

Datum Grade  
Elevation from  
which Hub Height  
Defined



Source: General Electric, 2019

Figure A-3  
GE 2.82/127 Diagram, 89-Meter Hub Height  
Sweetland Wind Farm, LLC  
Hand County, South Dakota