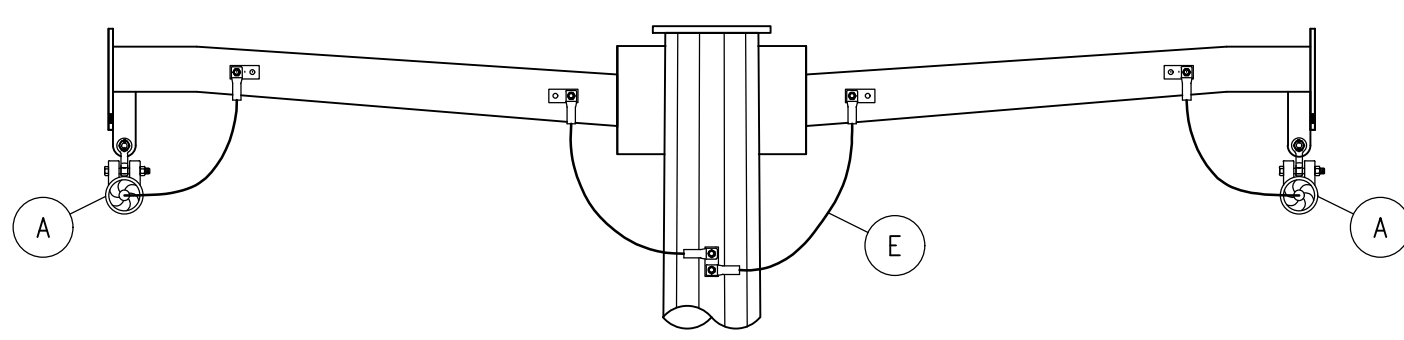
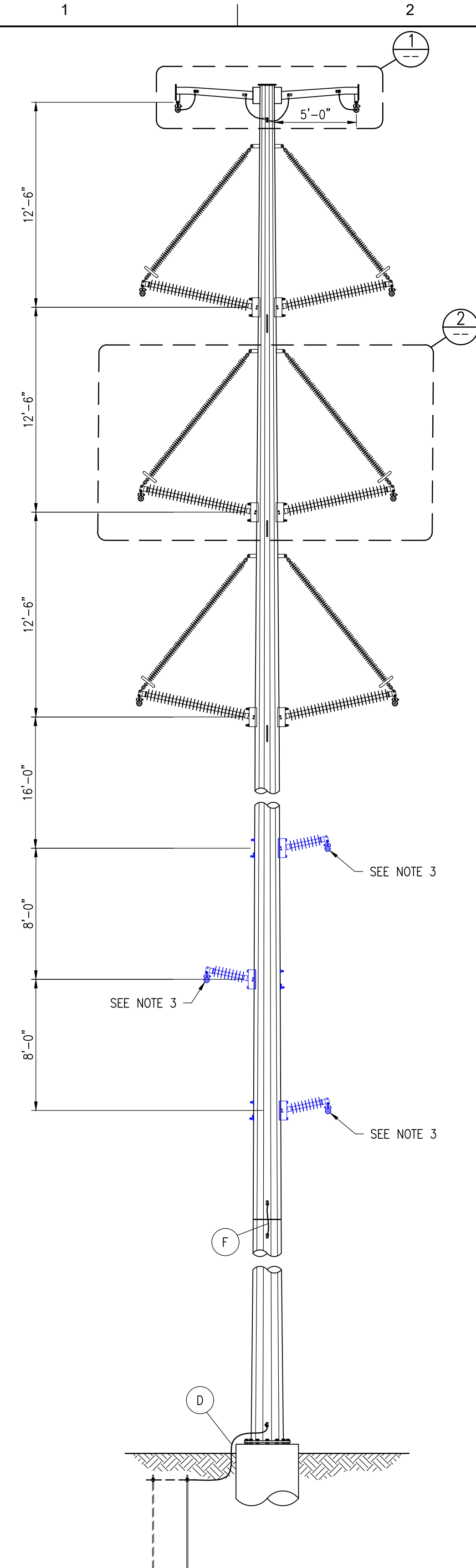
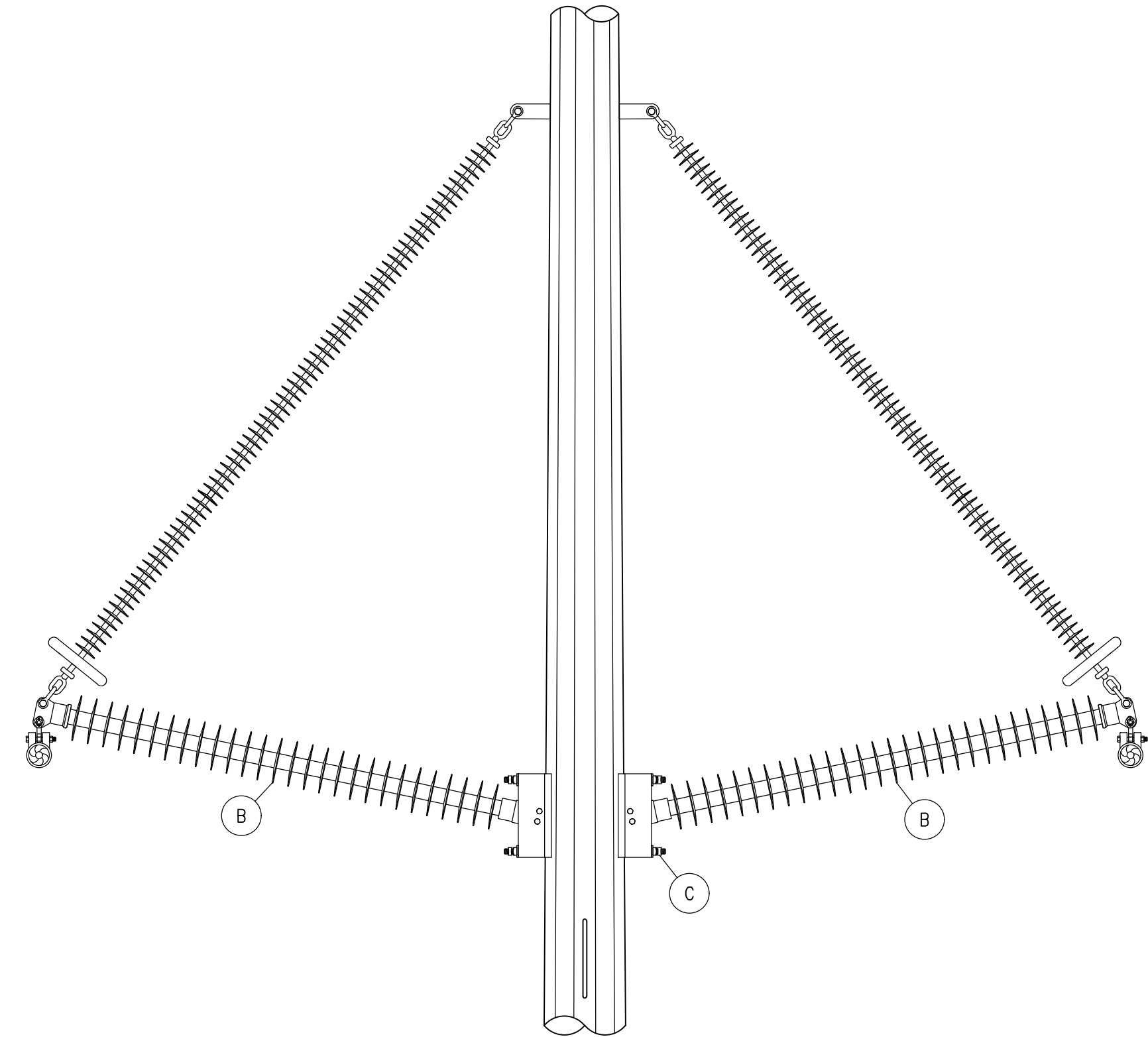


LIST OF ASSEMBLIES			
ITEM NO.	ASSEMBLY NO.	DESCRIPTION	QTY
A	T-4SF	OPGW SHIELD WIRE SUSPENSION ASSEMBLY	2
B	T-BP-S-230-CD	230KV BRACED POST ASSEMBLY - STEEL POLE - COMPACT DESIGN	6
C	TD-2C	DOUBLE INSULATOR BASE TO POLE ASSEMBLY	3
D	TM-9ST	STEEL POLE GROUNDING ASSEMBLY	1
E	TM-9SD-2	DOUBLE DAVIT ARM GROUNDING ASSEMBLY	1
F	TM-9SSJ	STEEL POLE SLIP JOINT GROUNDING	2

NOTES:
 1. SEE LOAD AND DESIGN DRAWINGS FOR STEEL POLE DETAILS.
 2. SEE STEEL POLE MANUFACTURER DRAWINGS FOR STEEL POLE DETAILS.
 3. BLUE ASSEMBLIES ARE CALLED OUT IN 69KV CONSTRUCTION PACKAGE. SEE BEN FRENCH - SOUTH RAPID CITY 69KV TERMINATIONS PACKAGE.



DETAIL
SHIELD
SCALE: N.T.S.

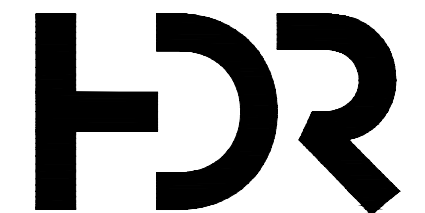


DETAIL
CONDUCTOR
SCALE: N.T.S.

PRELIMINARY
NOT FOR CONSTRUCTION

SHEET TITLE
TRANSMISSION LINE STRUCTURE
230KV DOUBLE CIRCUIT BRACED POST TANGENT
W/ 69KV TRANSMISSION UNDERBUILD

REFERENCE SHEET
1 OF 1
 EXHIBIT NUMBER
TCBP-230-69UB



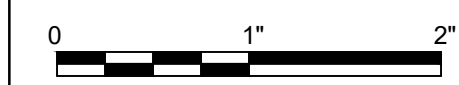
ISSUE	DATE	DESCRIPTION
C	2/1/2019	ISSUED FOR 90% REVIEW
B	12/14/2018	ISSUED FOR 75% REVIEW
A	10/12/2018	ISSUED FOR 60% REVIEW

PROJECT MANAGER	J. ELLSWORTH
PROJECT ENGINEER	J. PANKRATZ
DESIGN ENGINEER	J. PANKRATZ
CAD TECHNICIAN	Z. JANSEN
E. O. R.	
PROJECT NUMBER	10114217

BLACK HILLS ENERGY
RAPID CITY, SOUTH DAKOTA

WEST RAPID CITY
230KV TRANSMISSION LINE

STRUCTURE DETAILS
230KV DOUBLE CIRCUIT
BRACED POST TANGENT
W/ 69KV UNDERBUILD



FILENAME | BHE-SD-02-D-1.DWG
 SCALE | 3/16"=1'-0"

SHEET
SD-02-1