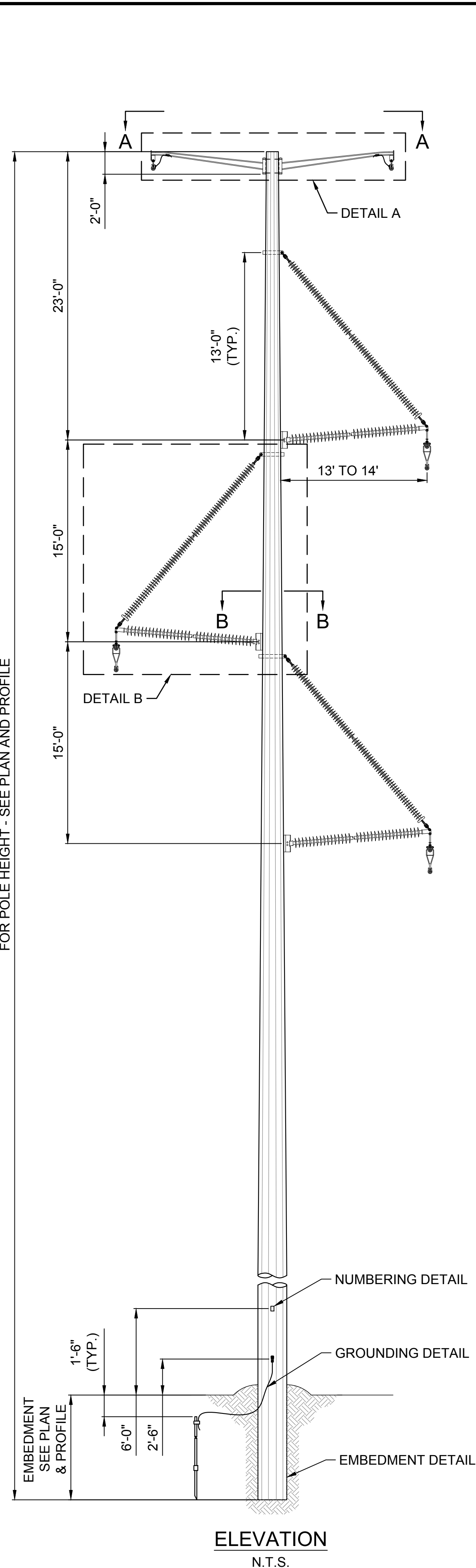
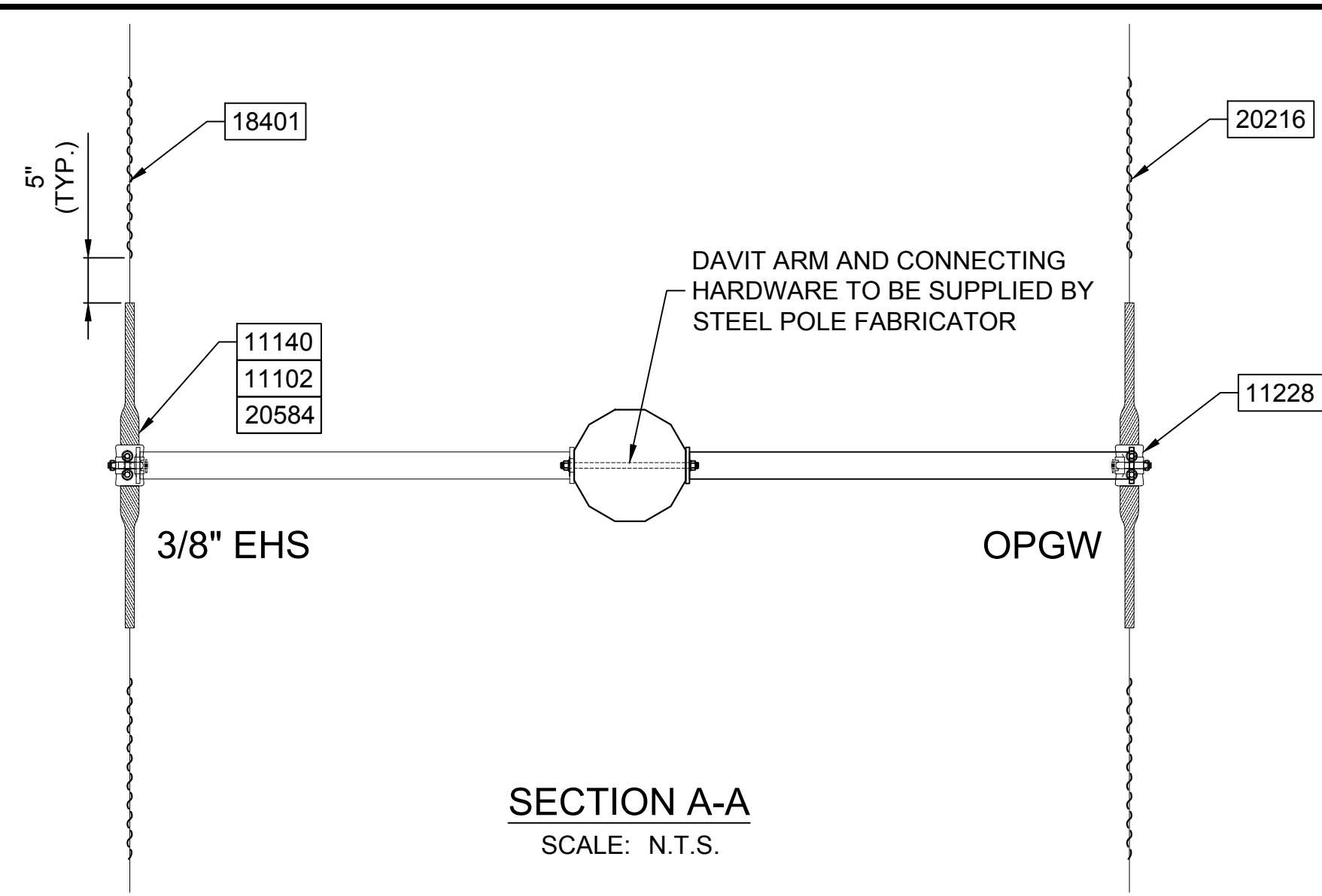


Appendix B – Typical Transmission Structure Drawings

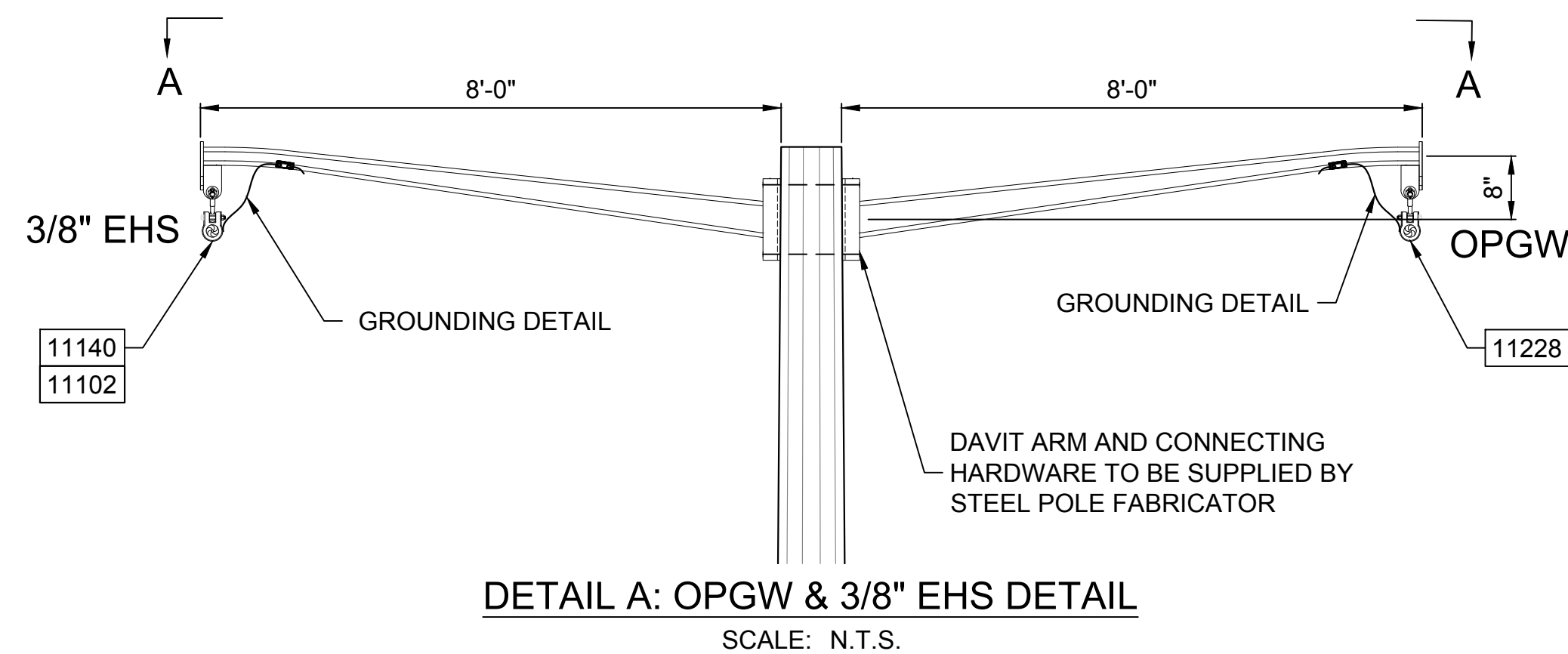
FOR POLE HEIGHT - SEE PLAN AND PROFILE



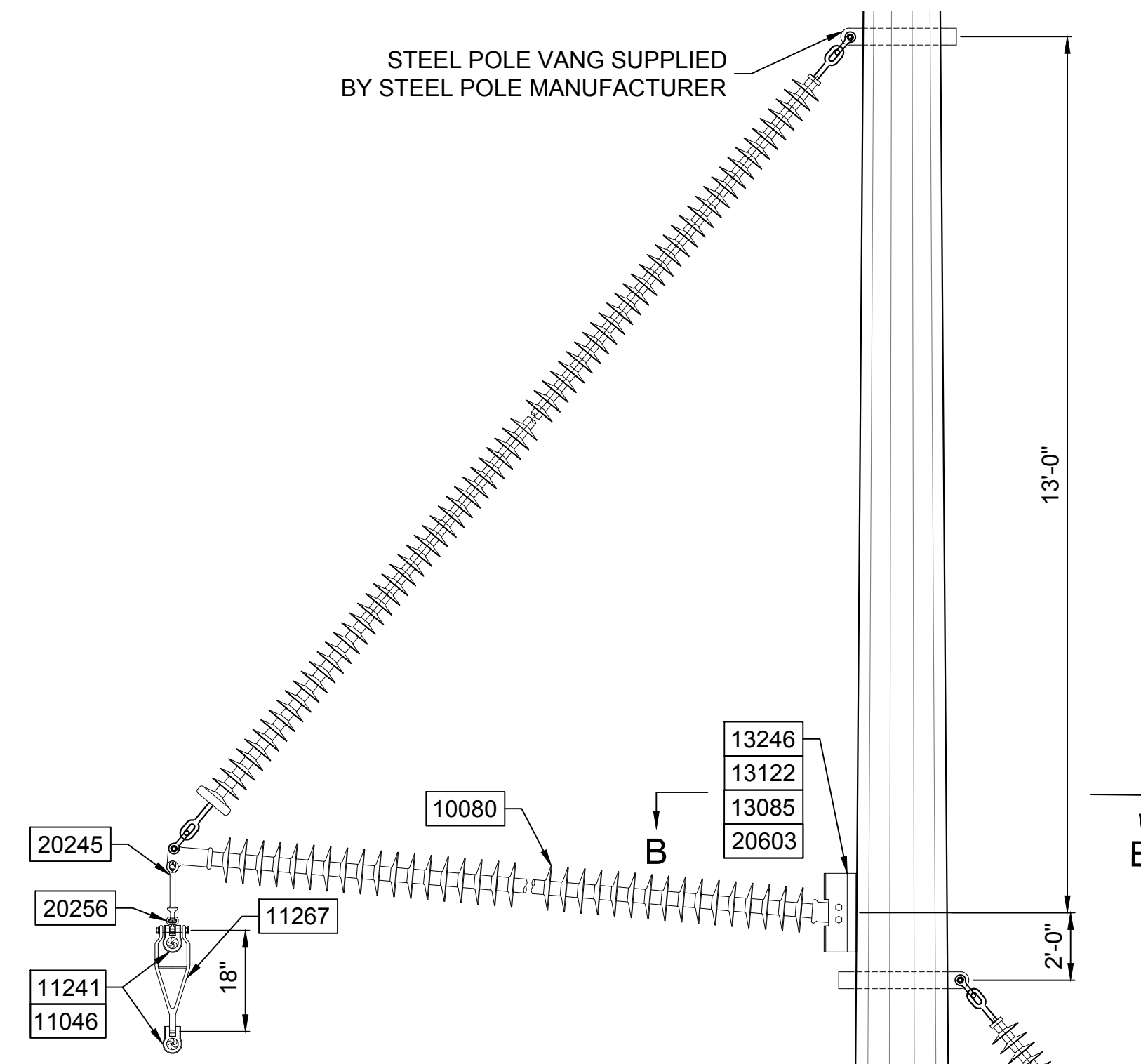
ELEVATION
N.T.S.



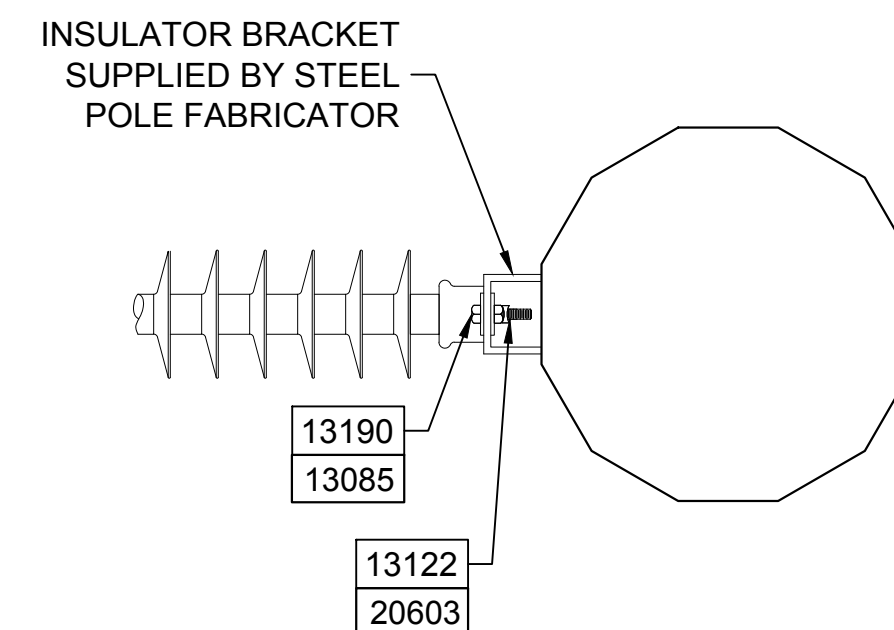
SECTION A-A
SCALE: N.T.S.



DETAIL A: OPGW & 3/8" EHS DETAIL
SCALE: N.T.S.



DETAIL B: CONDUCTOR DETAIL
SCALE: N.T.S.



SECTION B-B: POST INSULATOR MOUNTING
SCALE: N.T.S.

ITEM #	QTY	DESCRIPTION	MFG	MFG ITEM#
10080	3	INSULATOR, 345KV, BRACED POST, FLAT BASE, W/CORONA RING AND ANCHOR SHACKLE. 12.5K WORKING LOAD, 15 DEGREE UPSWEEP ANGLE. 164.8" SECTION LENGTH	HUBBELL	BLP754F15001
11102	1	Y-CLEVIS, CLEVIS, 30K	HUBBELL	YCC30
11140	1	CLAMP, SUSPENSION, ARMOR GRIP, SINGLE, FOR 3/8" EHS, W/ 26" LONG ARMOR RODS	PLP	AGS-7104S
11017	6	ARMOR GRIP, SUSPENSION, EHV w/ PARROT-BILL END RODS, FOR 954 54/7 "CARDINAL" ACSR	PLP	AGS-5513
11228	1	SUSPENSION CLAMP, SINGLE AGS, FOR OPGW DIA RANGE 0.512" TO 0.536", W/ Y-CLEVIS FOR CLAMP, INCL #4 COPPER GROUND WIRE	PLP	4300109GYC
11267	3	VERTICAL BUNDLING LINK FOR CGS, 18" LENGTH, FITS ALL CGS CLAMPS, 5/8" BOLT DIA.	PLP	VBL-MS-11302
13085	6	WASHER, ROUND, FLAT, FOR 1" BOLTS, GALVANIZED	HUGHES	RW3-100
13122	6	NUT, LOCK, MF, SQUARE, FOR 1 IN BOLT	HUGHES	MF100
13246	6	BOLT, MACHINE, SQ HEAD, 1" W/ 4" THREAD AND NUT, 10" LONG	HUGHES	B1010-4
18401	2	DAMPER, SPIRAL, FOR 3/8" EHS	PLP	5050104
20216	2	DAMPER, VIBRATION, SPIRAL, FOR 0.462" TO 0.563" DIA WIRE	PLP	5050105
20245	3	Y-CLEVIS, BALL, HOT LINE, 30K ULT, 9-5/16" LONG, ANSI 52-3 AND 52-5 BALL, 3/4" Y-CLEVIS PIN DIA	HUBBELL	HYBC30
20256	3	SOCKET EYE, 30K ULT, FOR ANSI 52-3 AND 52-5 BALL	PLP	SE-5157
20584	1	CHAIN LINK, 30K, 2-1/4" LONG, 1" OPENING	HUBBELL	LK30
20603	6	SQUARE WASHER, 3" X 3" X 1/4", FOR 1" DIA BOLT	HUGHES	SW3-100

CROCKER WIND
Clark County, South Dakota



Rev.	Date	Description	By
AA	11/02/16	PRELIMINARY	ZPD

NOTES:

PRELIMINARY
NOT FOR CONSTRUCTION

THIS DRAWING IS
PRELIMINARY AND IS NOT
TO BE USED FOR
CONSTRUCTION.
FOR REVIEW PURPOSES
ONLY.

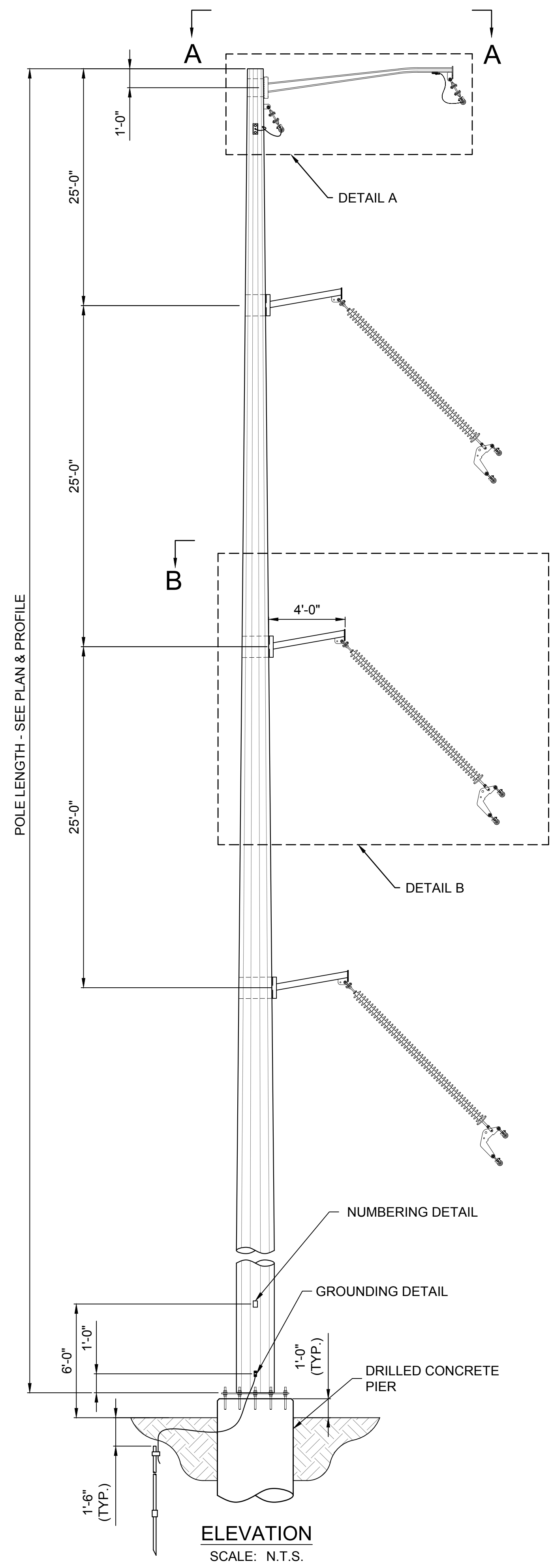
Westwood

3350 38th Avenue South
Fargo, North Dakota 58104
Phone: 701.280.8500
Fax: 701.237.3191
www.ulteig.com

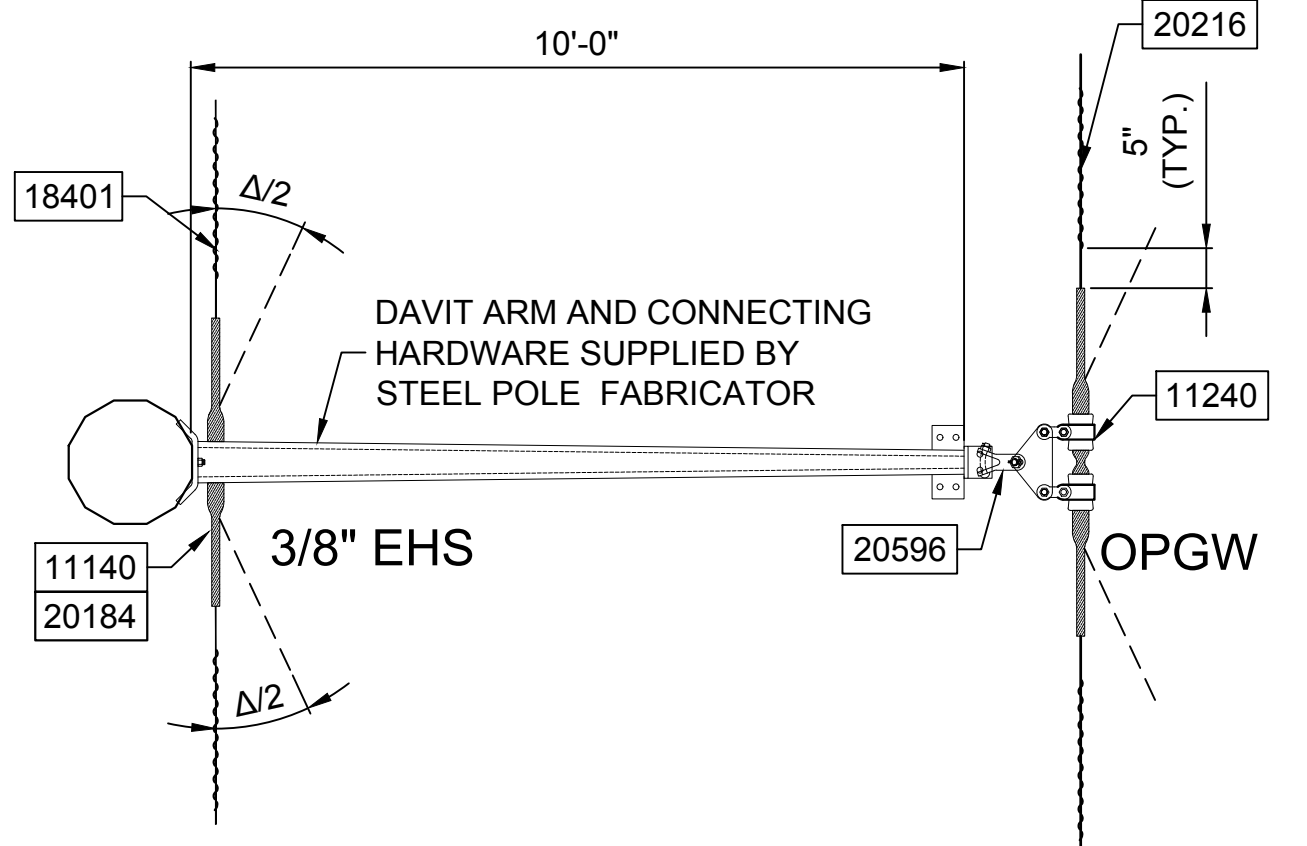
Ulteig
We listen. We solve.[™]
Bismarck - Denver - Detroit Lakes - Fargo - Sioux Falls - St. Paul
Design By: ZPB
Drawn By: HL
Approved By: SSF
Project Number: 16.01147

TRANSMISSION LINE
SINGLE CIRCUIT,
TANGENT BRACED LINE
POST, SINGLE POLE STEEL

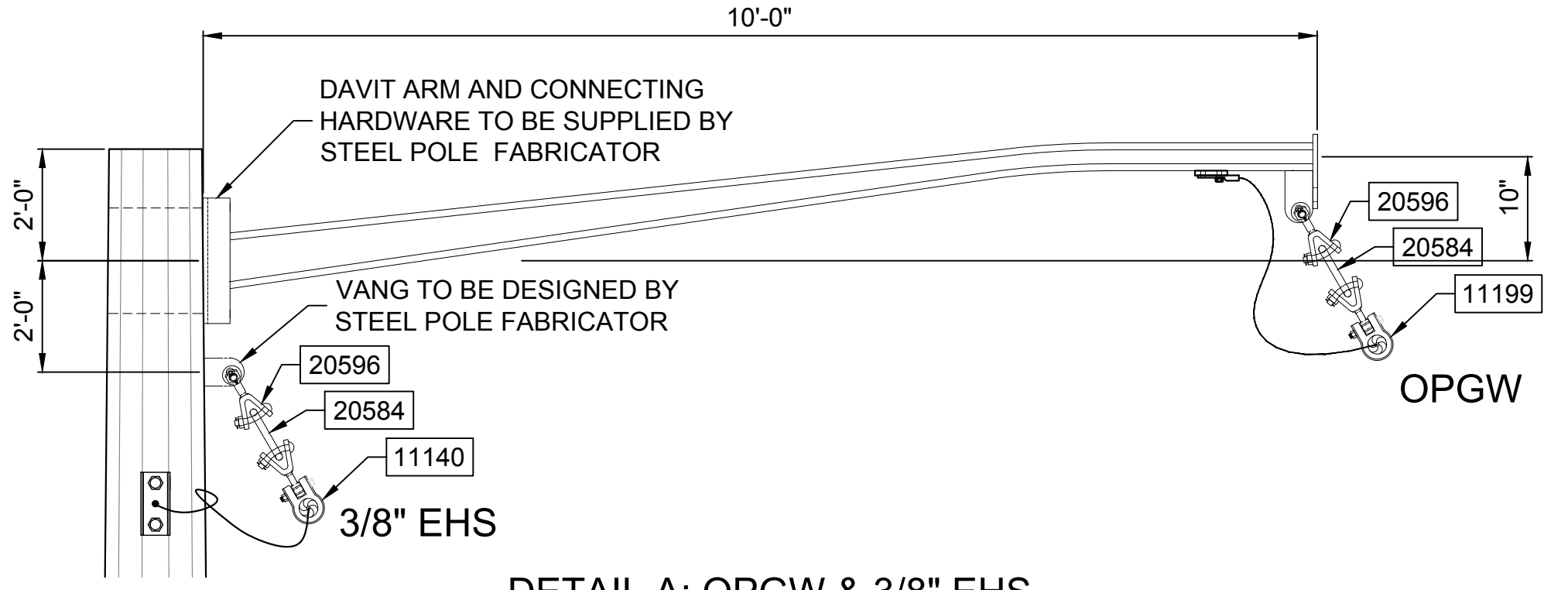
DWG #: SD149W.UEI.DWG
ST.TRAN.400
REVISION: AA



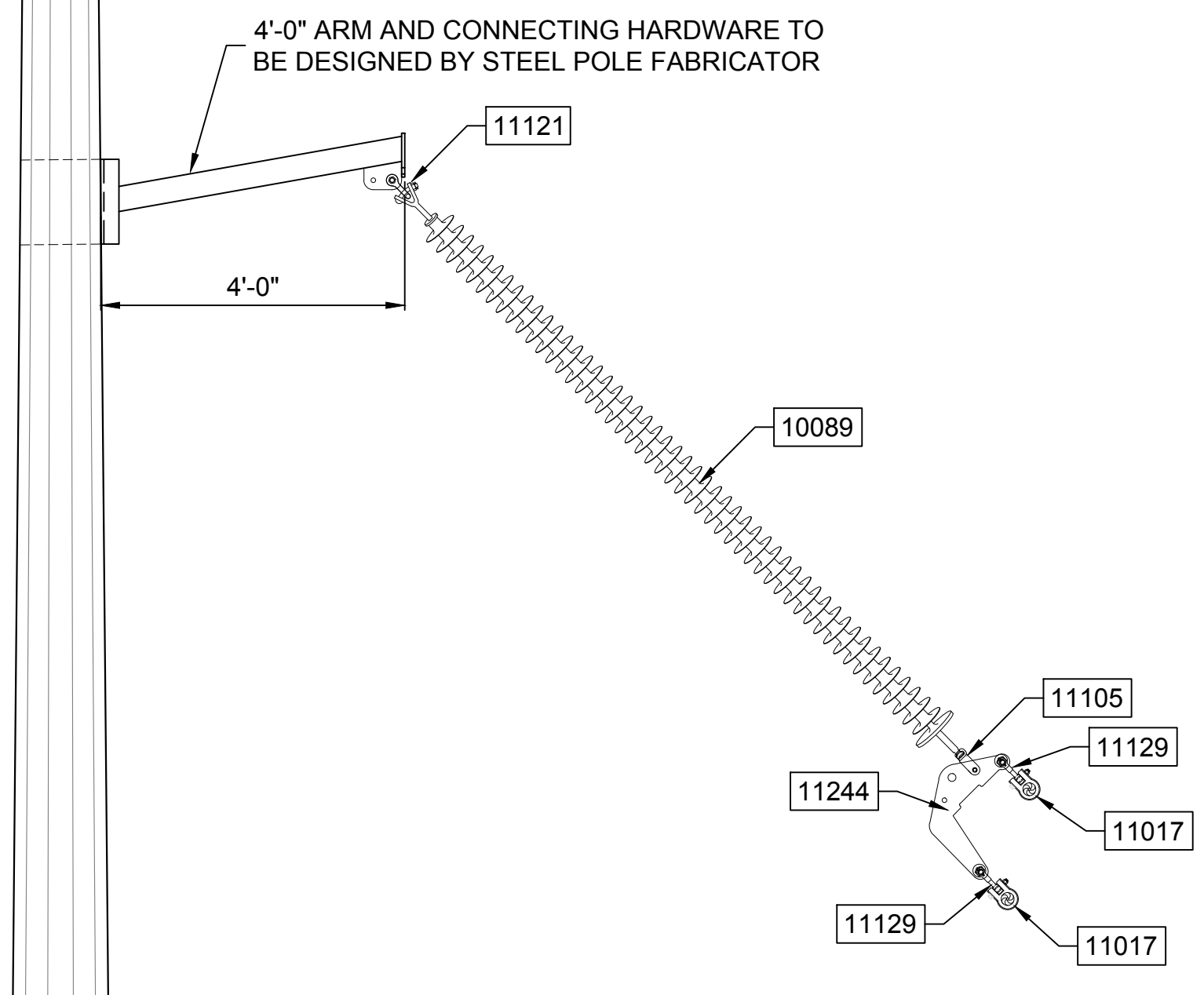
ELEVATION
SCALE: N.T.S.



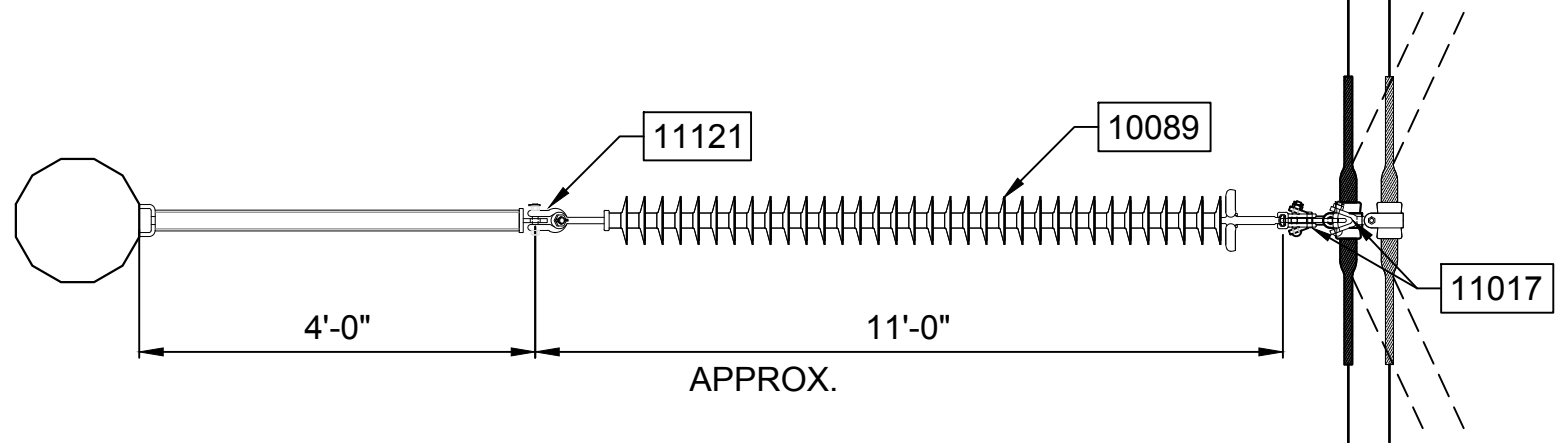
VIEW A-A: OPGW PLAN VIEW
SCALE: N.T.S.



DETAIL A: OPGW & 3/8" EHS
SCALE: N.T.S.



DETAIL B: CONDUCTOR RUNNING ANGLE DETAIL
SCALE: N.T.S.



SECTION B-B: CONDUCTOR PLAN VIEW
SCALE: N.T.S.

ITEM #	QTY	DESCRIPTION	MFG	MFG ITEM#
10089	3	345KV SUSPENSION POLYMER INSULATOR w/CORONA RING, 50K, Y CLEVIS BALL, 403" LEAKAGE DISTANCE	HUBBELL	S050116H201B
11105	3	SOCKET, Y-CLEVIS, 50K, W/SPHERICAL NUT	HUBBELL	SYC50SN
11121	3	ANCHOR SHACKLE, 60K, WIDE THROAT, 7/8" COTTER PIN DIA	HUBBELL	AS50WBNK
11129	6	Y-CLEVIS EYE, 25K ULT, 13/16" EYE HOLE, 1-1/16" EYE WIDTH	PLP	YC-5209
11140	1	CLAMP, SUSPENSION, ARMOR GRIP, SINGLE, FOR 3/8" EHS, W/ 26" LONG ARMOR RODS	PLP	AGS-7104S
11017	6	ARMOR GRIP, SUSPENSION, EHV w/ PARROT-BILL END RODS, FOR 954 54/7 "CARDINAL" ACSR	PLP	AGS-5513
11199	2	CUSHION CLAMP, DOUBLE SUSPENSION FOR OPGW DIA RANGE 0.508"-0.537" W/(2) CLEVIS EYES AND YOKE PLATE, 40,000 LB ULT.	PLP	4700205CEYP
11240	1	SUSPENSION CLAMP, DOUBLE AGS, FOR OPGW DIA RANGE 0.512" TO 0.536", W/ (2) CLEVIS EYES AND YOKE PLATE, INCL #4 COPPER GROUND WIRE	PLP	4300209GCEYP
11244	3	YOKE PLATE, CRESCENT, 50K ULT., DOUBLE CONDUCTOR, 345KV	HUBBELL	YPC5026001
18401	2	DAMPER, SPIRAL, FOR 3/8" EHS	PLP	5050104
20216	2	DAMPER, VIBRATION, SPIRAL, FOR 0.462" TO 0.563" DIA WIRE	PLP	5050105
20584	1	CHAIN LINK, 30K, 2-1/4" LONG, 1" OPENING	HUBBELL	LK30
20596	2	Y-CLEVIS, CLEVIS, 90 DEG, 30K, 5/8" PIN, 7/8" CLEVIS OPENING.	HUBBELL	YCC3090

CROCKER WIND
Clark County, South Dakota

Rev.	Date	Description	By
AA	11/02/16	PRELIMINARY	ZPB

NOTES:

PRELIMINARY
NOT FOR CONSTRUCTION

THIS DRAWING IS PRELIMINARY AND IS NOT TO BE USED FOR CONSTRUCTION. FOR REVIEW PURPOSES ONLY.

Westwood

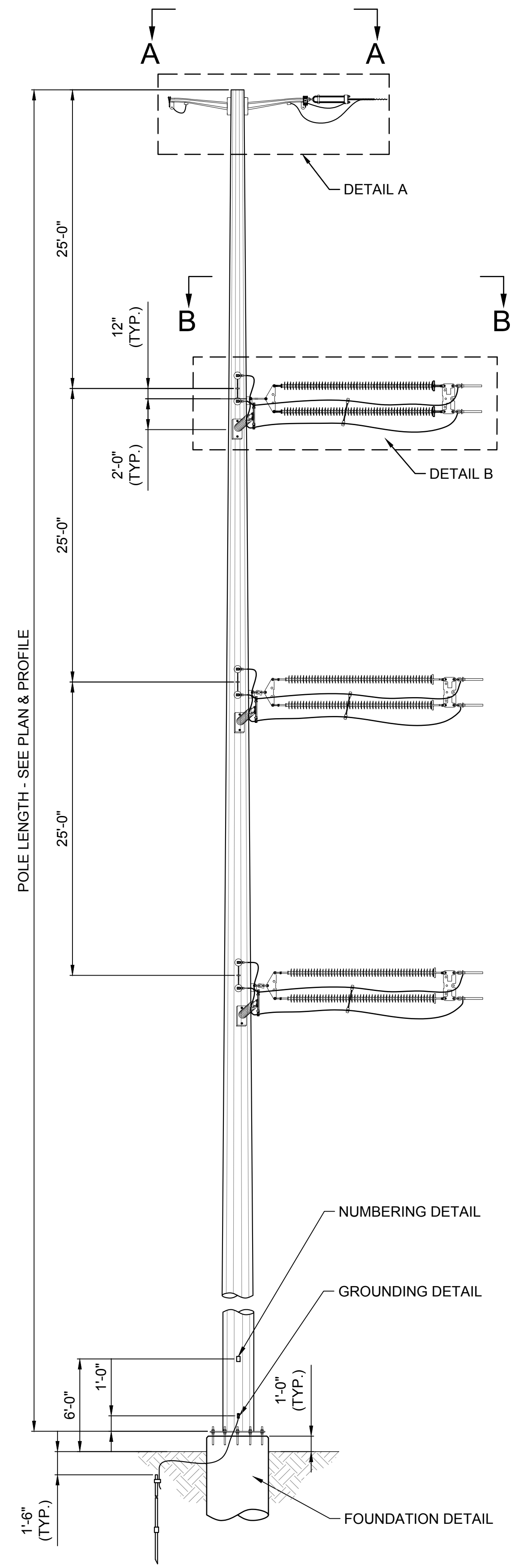
Ulteig
3350 38th Avenue South
Fargo, North Dakota 58104
Phone: 701.280.8500
Fax: 701.237.3191
www.ulteig.com

We listen. We solve.™
Bismarck - Denver - Detroit Lakes - Fargo - Sioux Falls - St. Paul
Design By: ZPB
Drawn By: HL
Approved By: SSF
Project Number: 16.01147

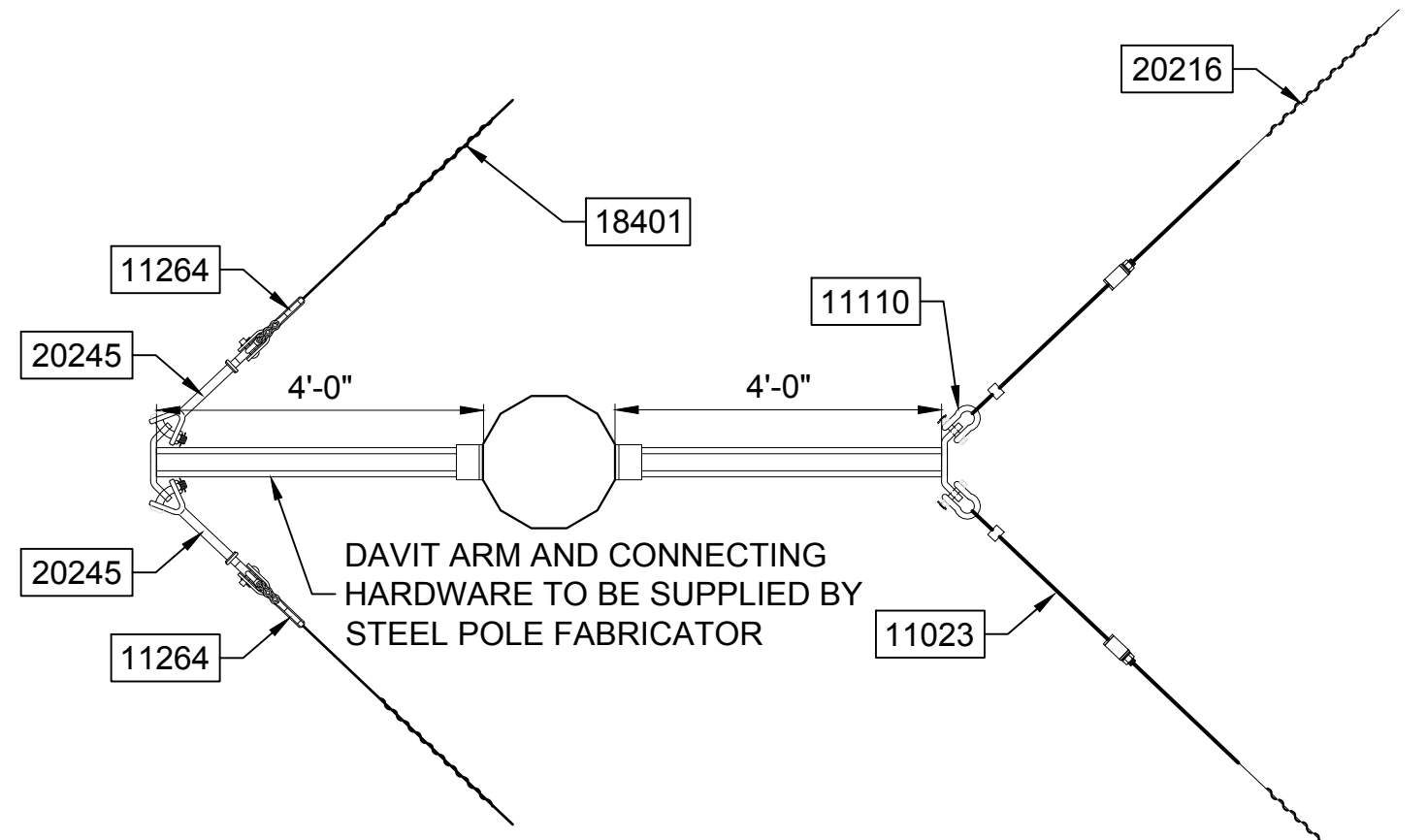
**TRANSMISSION LINE
RUNNING ANGLE
SINGLE POLE**

DWG #: SD149W.UEI.DWG
ST.TRAN. 401
REVISION: AA

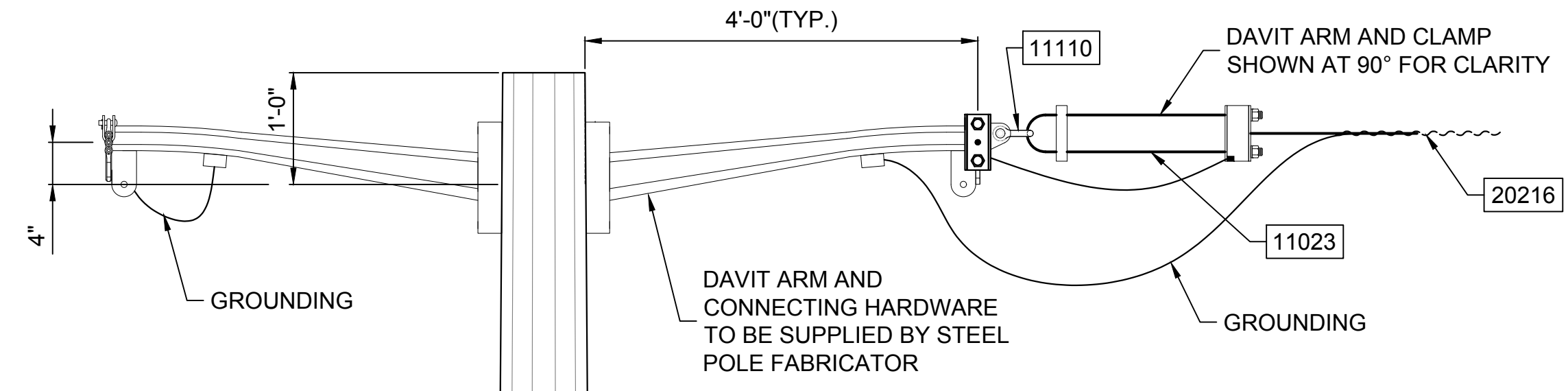
ITEM #	QTY	DESCRIPTION	MFG	MFG ITEM#
10089	12	345KV SUSPENSION POLYMER INSULATOR w/CORONA RING, 50K, Y CLEVIS BALL, 403" LEAKAGE DISTANCE	HUBBELL	S050116H201B
10098	3	INSULATOR, JUMPER POST, FOR 345KV CONDUCTOR, W/CORONA RING. 163.4" SECT. LENGTH. 2 HOLE BLADE END FITTING. FLAT MOUNTING BASE.	HUBBELL	P350152S003A
11023	2	FIBERLIGN DEAD-END, RANGE 0.512"-0.528", w/4' #4 COPPER GROUND WIRE	PLP	2801308G
11036	12	DEAD END FITTING, 0954 KCMIL 54/7 ACSR, 15 DEG JUMPER TERMINAL AND PAD w/ STD NEMA HOLE SPACING, SINGLE TONGUE HORIZONTAL EYE	HUBBELL	A031351
11095	6	YOKE PLATE, RECTANGULAR, 60K, 18" HOLE SPACING, 0.938" DIA HOLES	HUBBELL	YPR6019401
11099	6	YOKE PLATE, TRIANGULAR, 3/4 IN THICK, 1 1/4 IN HOLES	HUBBELL	YPD5018549-1
11110	2	ANCHOR SHACKLE, 0.656" THROAT, 5/8" PIN, 30K	HUBBELL	AS25LBNK
11121	12	ANCHOR SHACKLE, 60K, WIDE THROAT, 7/8" COTTER PIN DIA	HUBBELL	AS50WBNK
13402	6	SPACER, 18" OC, FOR 954 KCMIL 54/7 ACSR	PREFORMED	CGTS-0113
11252	3	POST INSULATOR JUMPER ASSEMBLY FOR BUNDLED CONDUCTOR, 1.00" - 1.40" CLAMP DIA RANGE	HUBBELL	27172430015D73
11264	2	CLAMP, DEAD END SHOE, 3/8 IN SHW, W/SOCKET EYE, 8" LONG	HUBBELL	SWDE55S
13094	6	BOLT, MACHINE, SQUARE HEAD, W/ 1 NUT GALV 7/8" X 8"	HUGHES	B88-3
13121	6	NUT, LOCK, MF, SQUARE, FOR 7/8 IN BOLT	HUGHES	MF80
13209	6	WASHER, FLAT, ROUND, 2" DIA, GALV, FOR 7/8" BOLTS	HUGHES	RW2-80
18401	2	DAMPER, SPIRAL, FOR 3/8" EHS	PLP	5050104
20216	2	DAMPER, VIBRATION, SPIRAL, FOR 0.462" TO 0.563" DIA WIRE	PLP	5050105
20245	2	Y-CLEVIS, BALL, HOT LINE, 30K ULT, 9-5/16" LONG, ANSI 52-3 AND 52-5 BALL, 3/4" Y-CLEVIS PIN DIA	HUBBELL	HYBC30
20253	6	HOT LINE Y-CLEVIS Y-CLEVIS, 50K ULT, 15" LENGTH	HUBBELL	HYCC50157
20604	6	SQUARE WASHER, 3" X 3" X 1/4", FOR 7/8" DIA BOLT	HUGHES	SW3-80
20687	12	SOCKET CLEVIS, 7/8" CLEVIS PIN, 2-1/16" THROAT, 50K	HUBBELL	SC501



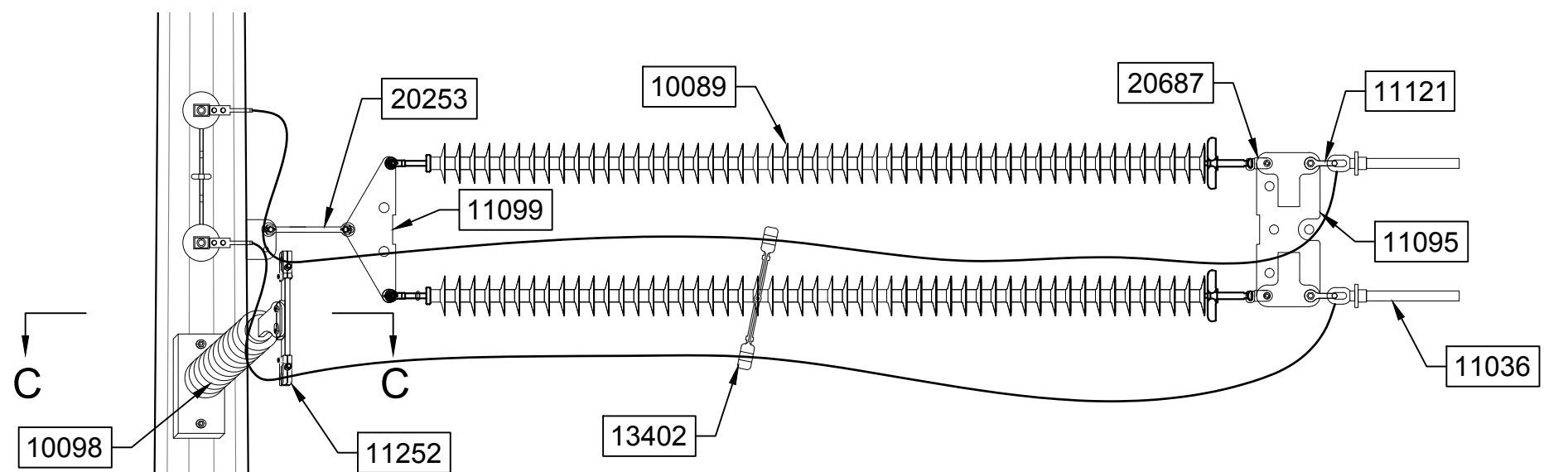
ELEVATION
SCALE: N.T.S.



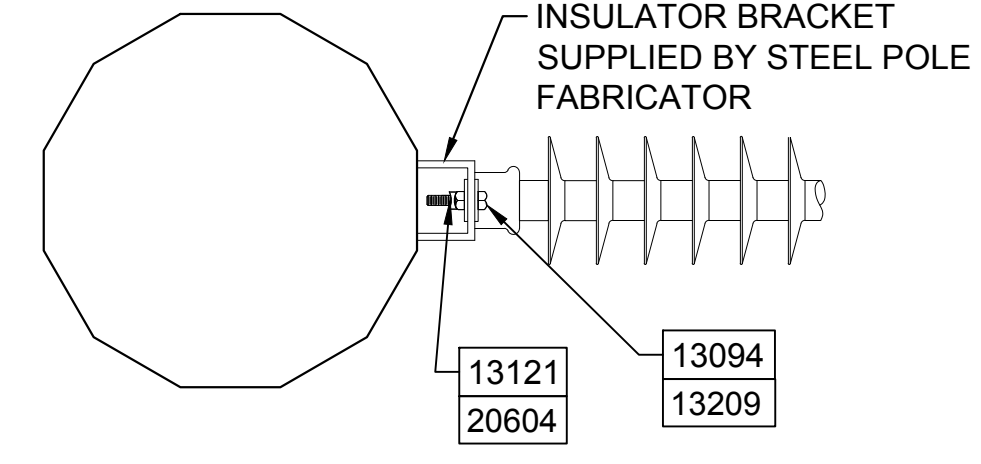
SECTION A-A: OPGW & 3/8" EHS PLAN
SCALE: N.T.S.



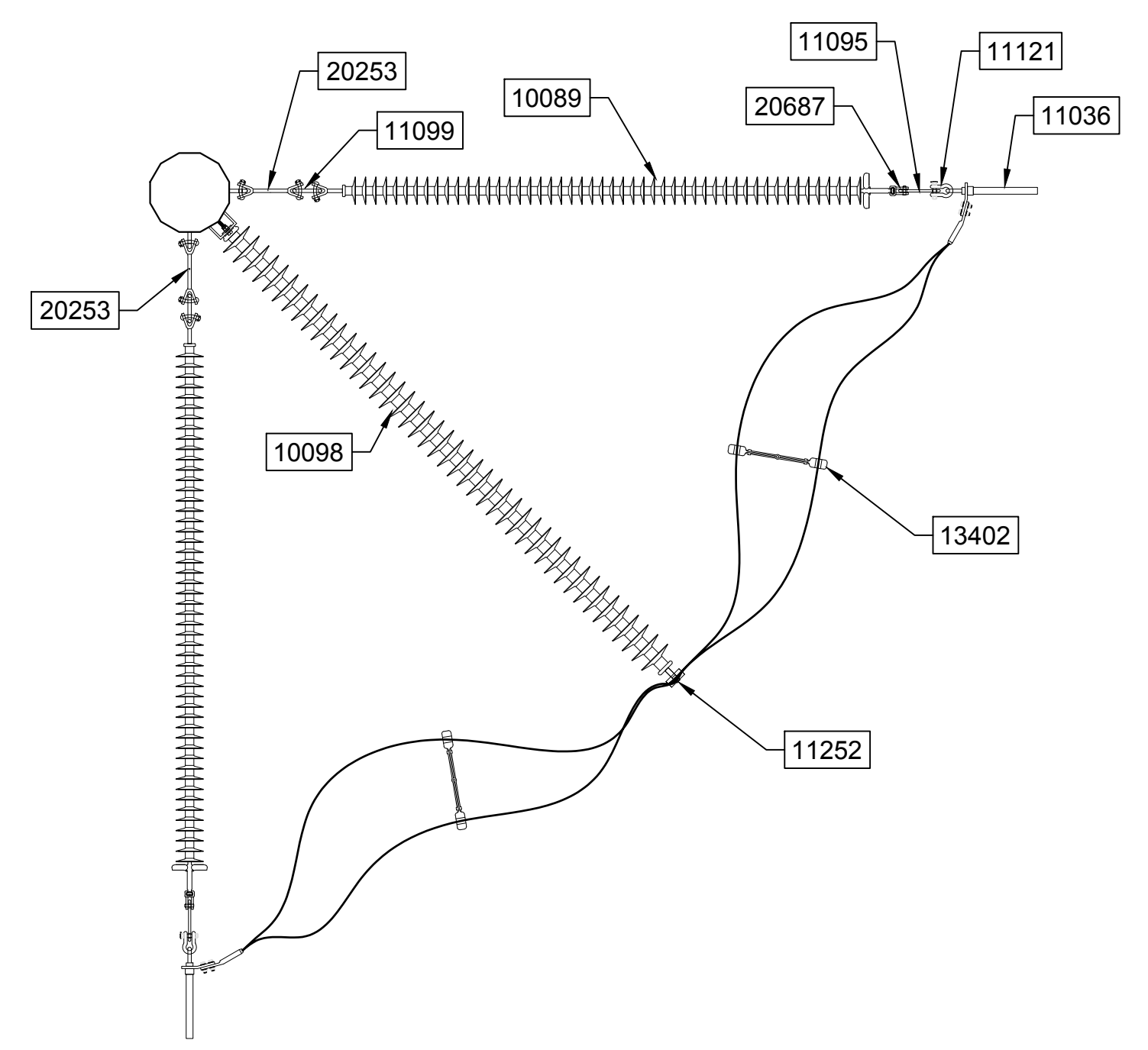
DETAIL A: OPGW & 3/8" EHS DEADEND
SCALE: N.T.S.



DETAIL B: CONDUCTOR DEADEND
SCALE: N.T.S.



SECTION C-C: JUMPER POST MOUNTING
SCALE: N.T.S.



SECTION B-B: CONDUCTOR PLAN VIEW
SCALE: N.T.S.

NOTE:
SEE OPGW SPLICE BOX DETAIL ON D.24.US.W.40173.14.004.01 FOR STRUCTURE #43

CROCKER WIND
Clark County, South Dakota

Rev.	Date	Description	By
AA	11/02/16	PRELIMINARY	ZPD

NOTES:

PRELIMINARY
NOT FOR CONSTRUCTION

THIS DRAWING IS
PRELIMINARY AND IS NOT
TO BE USED FOR
CONSTRUCTION.
FOR REVIEW PURPOSES
ONLY.

Westwood
3350 38th Avenue South
 Fargo, North Dakota 58104
 Phone: 701.280.8500
 Fax: 701.237.3191
 www.ulteig.com

Ulteig
We listen. We solve.[™]
Bismarck - Denver - Detroit Lakes - Fargo - Sioux Falls - St. Paul

Design By: ZPB
Drawn By: HL
Approved By: SSF
Project Number: 16.01147

**TRANSMISSION LINE
DEADEND
SINGLE POLE, STEEL**

DWG #: SD149W.UEI.DWG
ST.TRAN. 402
REVISION: AA