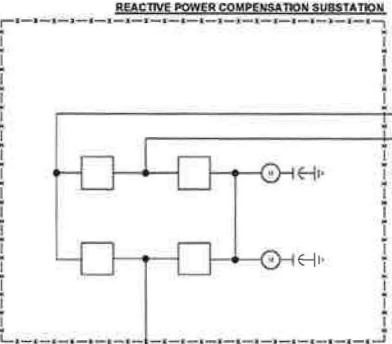


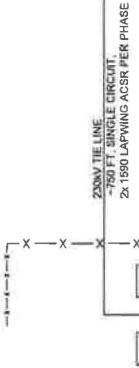
1 2 3 4 5 6 7 8 9 10 11 12 13 14

Rev | date | by | ckd | description

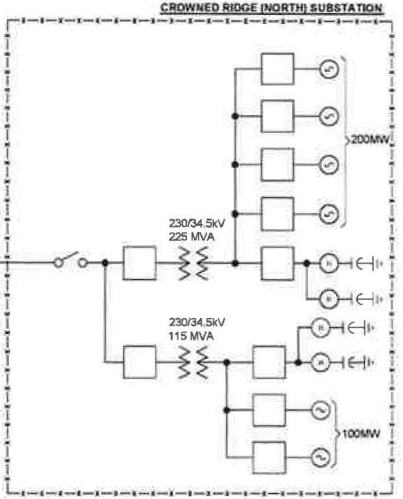


230KV CROWNED RIDGE TRANSMISSION LINE  
34 MILES, DOUBLE CIRCUIT  
2x 795 KCMIL "DRAKE" ACSR PER PHASE

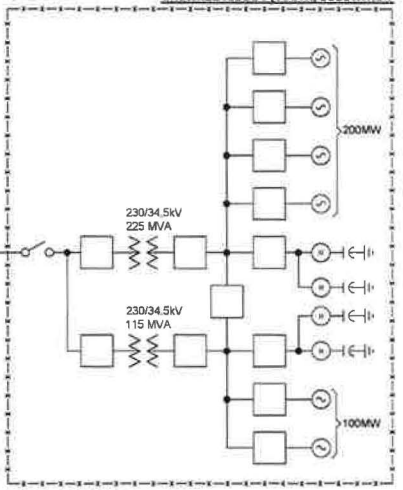
230KV CROWNED RIDGE 2 TRANSMISSION LINE  
14 MILES, SINGLE CIRCUIT  
2x 795 KCMIL "DRAKE" ACSR PER PHASE



OTTERTAIL BIG STONE SOUTH SUBSTATION



CROWNED RIDGE (NORTH) SUBSTATION



CROWNED RIDGE 2 (SOUTH) SUBSTATION

**PRELIMINARY**

date	10/23/17	detailed	-
designed	-	checked	-

CROWNED RIDGE WIND, LLC

CROWNED RIDGE PROJECT  
OVERVIEW  
DOUBLE-CIRCUIT OPTION

project	-	contract	-
drawing	CR PROJECT	rev.	A
sheet	1	of	1
file	CROWNED RIDGE PROJECT.DWG		

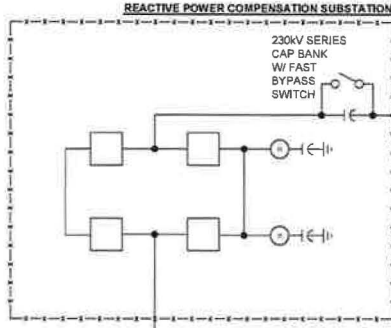
**BURNS MEDONNELL**  
8400 WARD PARKWAY  
KANSAS CITY, MO 64114  
816-333-8400

Copyright © 2013 Burns & McDonnell Engineering Company, Inc.

A  
B  
C  
D  
E  
F  
G  
H  
I  
J

1 2 3 4 5 6 7 8 9 10 11 12 13 14

Rev | date | by | ckd | description

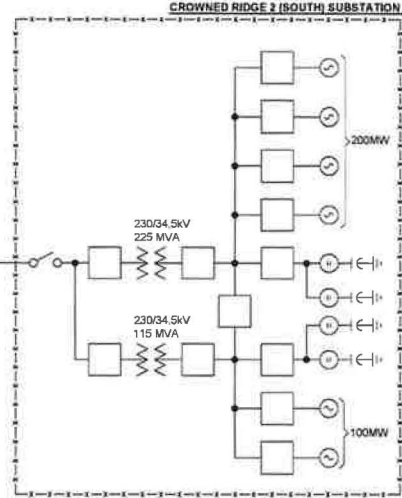
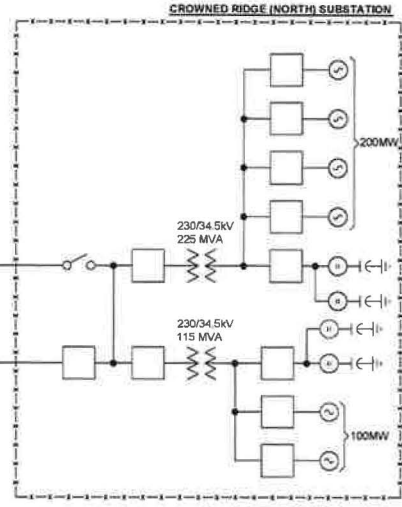


230kV CROWNED RIDGE TRANSMISSION LINE  
34 MILES, SINGLE CIRCUIT  
2x 1590 KCMIL "LAPWING" ACSR PER PHASE

230kV CROWNED RIDGE 2 TRANSMISSION LINE  
14 MILES, SINGLE CIRCUIT  
1x 1272 KCMIL "BITTERN" ACSR PER PHASE

230kV TIE LINE  
~750 FT. SINGLE CIRCUIT,  
2x 1590 LAPWING ACSR PER PHASE

**OTTERTAIL BIG STONE SOUTH SUBSTATION**



Scale for Manufacturing  
Miles  
Feet

COPYRIGHT © 2013 BURNS & MCDONNELL ENGINEERING COMPANY, INC.

A  
B  
C  
D  
E  
F  
G  
H  
I  
J

**PRELIMINARY**

**BURNS & MCDONNELL**  
8400 WARD PARKWAY  
KANSAS CITY, MO 64114  
816-333-9400

date 10/23/17	designed -
checked -	contract -

CROWNED RIDGE WIND, LLC

CROWNED RIDGE PROJECT  
OVERVIEW  
SINGLE-CIRCUIT OPTION

drawing <b>CR PROJECT</b>	rev. <b>A</b>
------------------------------	------------------

Sheet 1 of 1 sheets  
file: CROWNED RIDGE PROJECT.DWG