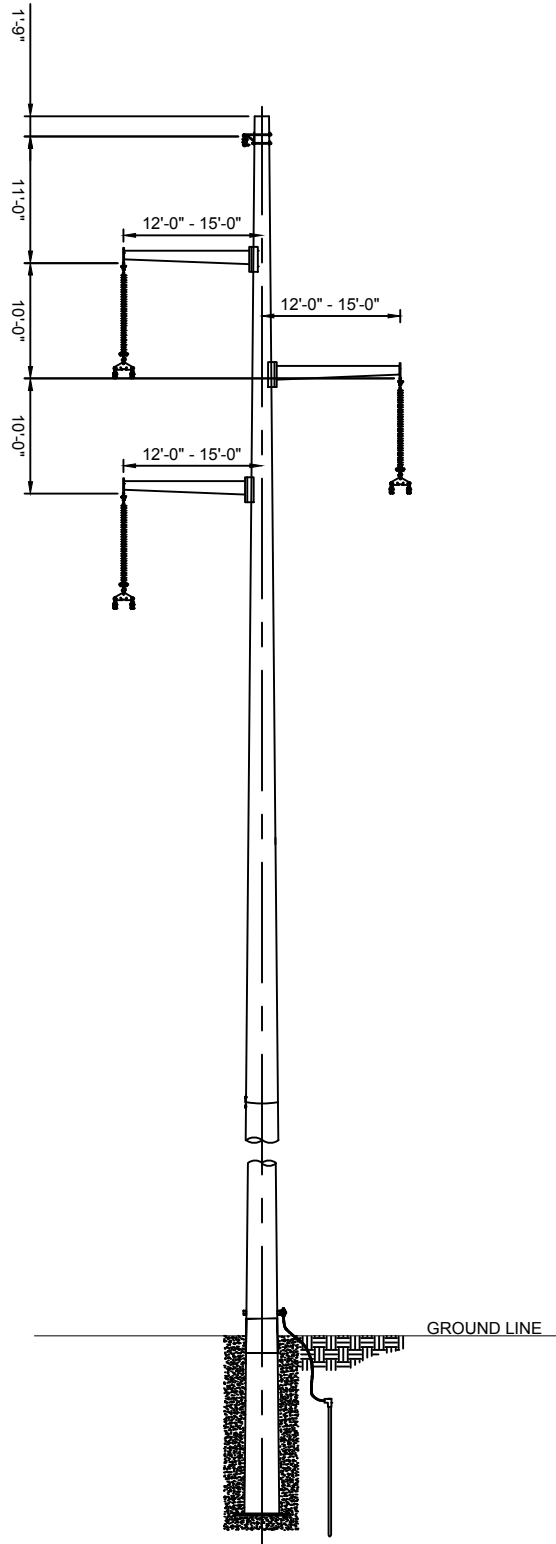


THIS DOCUMENT IS PRELIMINARY IN NATURE AND IS NOT A FINAL, SIGNED AND SEALED DOCUMENT.



COPYRIGHT © 2017 BURNS & McDONNELL ENGINEERING COMPANY, INC.



9400 WARD PARKWAY, KANSAS CITY, MO 64114

PROJECT 98748

CROWNED RIDGE WIND, LLC
700 UNIVERSE BLVD.
JUNO BEACH, FL 33408

CROWNED RIDGE 1 230KV T/L PROJECT
EXHIBIT DRAWING
TYPICAL STRUCTURE LAYOUT
MONOPOLE TANGENT

A	8/16/17	MSP	JPC	ISSUED FOR REVIEW
---	---------	-----	-----	-------------------

date	8/16/2017
designed	M. PEPICH

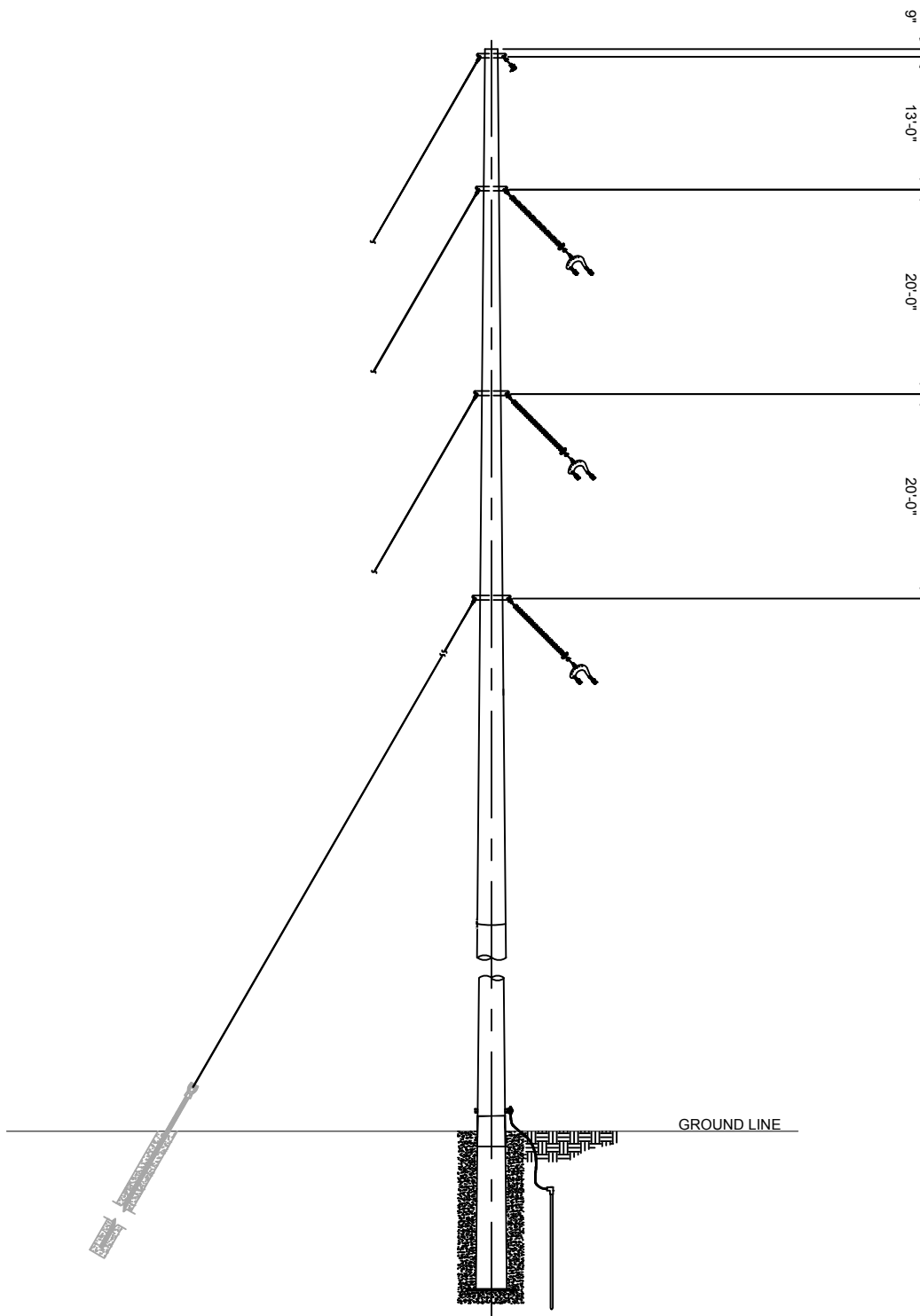
detailed	M. PEPICH
checked	A. OVERSCHMIDT

drawing	CR1-00946
---------	-----------

sheet	1	rev.	A
-------	---	------	---

no.	date	by	ckd	description
-----	------	----	-----	-------------

THIS DOCUMENT IS PRELIMINARY IN NATURE AND IS NOT A FINAL, SIGNED AND SEALED DOCUMENT.



COPYRIGHT © 2017 BURNS & McDONNELL ENGINEERING COMPANY, INC.



9400 WARD PARKWAY, KANSAS CITY, MO 64114

PROJECT 98748

CROWNED RIDGE WIND, LLC
700 UNIVERSE BLVD.
JUNO BEACH, FL 33408

CROWNED RIDGE 1 230KV T/L PROJECT
EXHIBIT DRAWING
TYPICAL STRUCTURE LAYOUT
MONOPOLE GUYED RUNNING ANGLE

A	8/16/17	MSP	JPC	ISSUED FOR REVIEW
---	---------	-----	-----	-------------------

date	8/16/2017
------	-----------

detailed	M. PEPICH
----------	-----------

designed	M. PEPICH
----------	-----------

checked	A. OVERSCHMIDT
---------	----------------

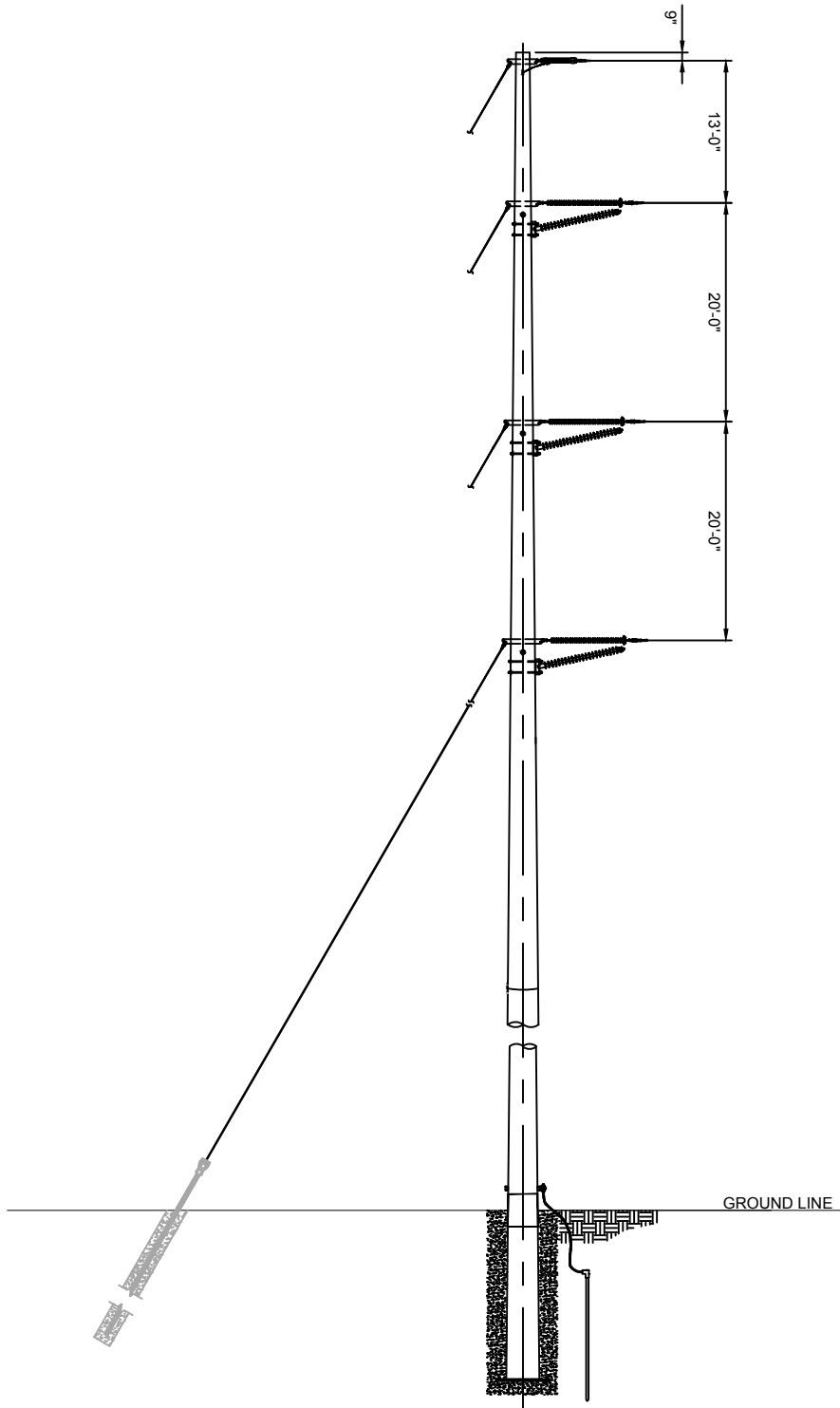
drawing

CR1-00947

sheet	1	rev.	A
-------	---	------	---

no.	date	by	ckd	description
A	8/16/17	MSP	JPC	ISSUED FOR REVIEW

THIS DOCUMENT IS PRELIMINARY IN NATURE AND IS NOT A FINAL, SIGNED AND SEALED DOCUMENT.



COPYRIGHT © 2017 BURNS & McDONNELL ENGINEERING COMPANY, INC.



9400 WARD PARKWAY, KANSAS CITY, MO 64114

PROJECT 98748

CROWNED RIDGE WIND, LLC
700 UNIVERSE BLVD.
JUNO BEACH, FL 33408

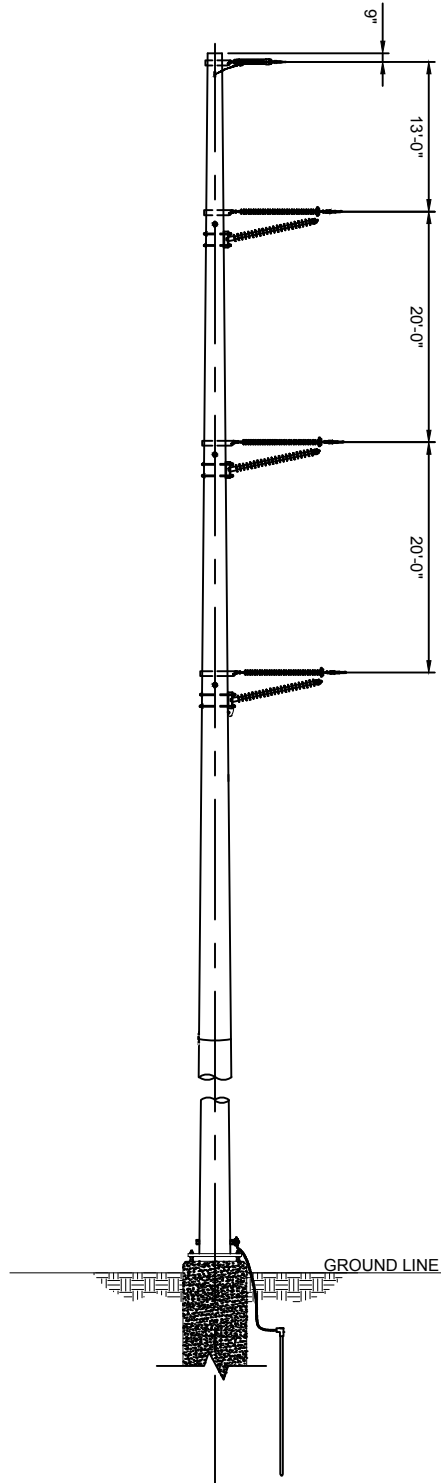
CROWNED RIDGE 1 230KV T/L PROJECT
EXHIBIT DRAWING
TYPICAL STRUCTURE LAYOUT
MONOPOLE GUYED DEADEND

A	8/16/17	MSP	JPC	ISSUED FOR REVIEW
no.	date	by	ckd	description

date	8/16/2017	detailed	M. PEPICH
designed	M. PEPICH	checked	A. OVERSCHMIDT

drawing	CR1-00948	sheet	1	rev.	A
---------	-----------	-------	---	------	---

THIS DOCUMENT IS PRELIMINARY IN NATURE AND IS NOT A FINAL, SIGNED AND SEALED DOCUMENT.



COPYRIGHT © 2017 BURNS & McDONNELL ENGINEERING COMPANY, INC.



9400 WARD PARKWAY, KANSAS CITY, MO 64114

PROJECT 98748

CROWNED RIDGE WIND, LLC
700 UNIVERSE BLVD.
JUNO BEACH, FL 33408

CROWNED RIDGE 1 230KV T/L PROJECT
EXHIBIT DRAWING
TYPICAL STRUCTURE LAYOUT
MONOPOLE SELF-SUPPORTED DEADEND

A	8/16/17	MSP	JPC	ISSUED FOR REVIEW
---	---------	-----	-----	-------------------

date	8/16/2017	detailed	M. PEPICH
designed	M. PEPICH	checked	A. OVERSCHMIDT

drawing	CR1-00949	sheet	1	rev.	A
---------	-----------	-------	---	------	---

no.	date	by	ckd	description
-----	------	----	-----	-------------