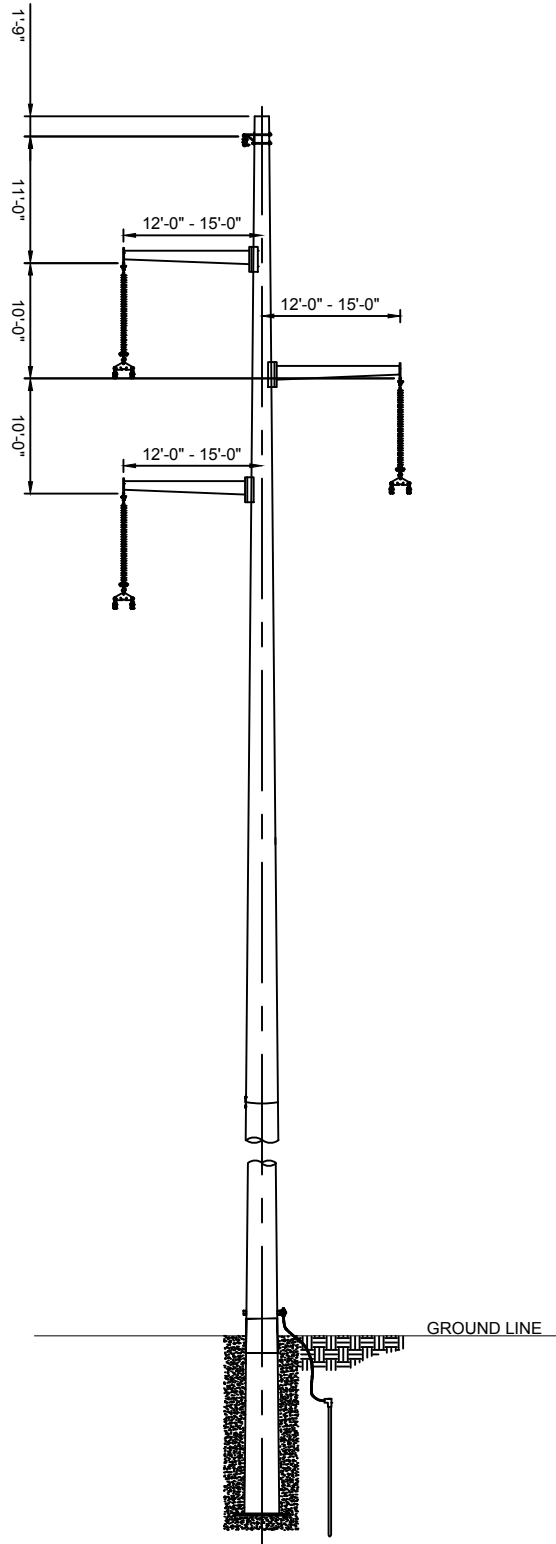


**THIS DOCUMENT IS PRELIMINARY IN NATURE AND IS NOT A FINAL, SIGNED AND SEALED DOCUMENT.**



COPYRIGHT © 2017 BURNS & McDONNELL ENGINEERING COMPANY, INC.



9400 WARD PARKWAY, KANSAS CITY, MO 64114

PROJECT 98748

CROWNED RIDGE WIND, LLC  
700 UNIVERSE BLVD.  
JUNO BEACH, FL 33408

**CROWNED RIDGE 1 230KV T/L PROJECT**  
EXHIBIT DRAWING  
TYPICAL STRUCTURE LAYOUT  
MONOPOLE TANGENT

A	8/16/17	MSP	JPC	ISSUED FOR REVIEW
---	---------	-----	-----	-------------------

date	8/16/2017
designed	M. PEPICH

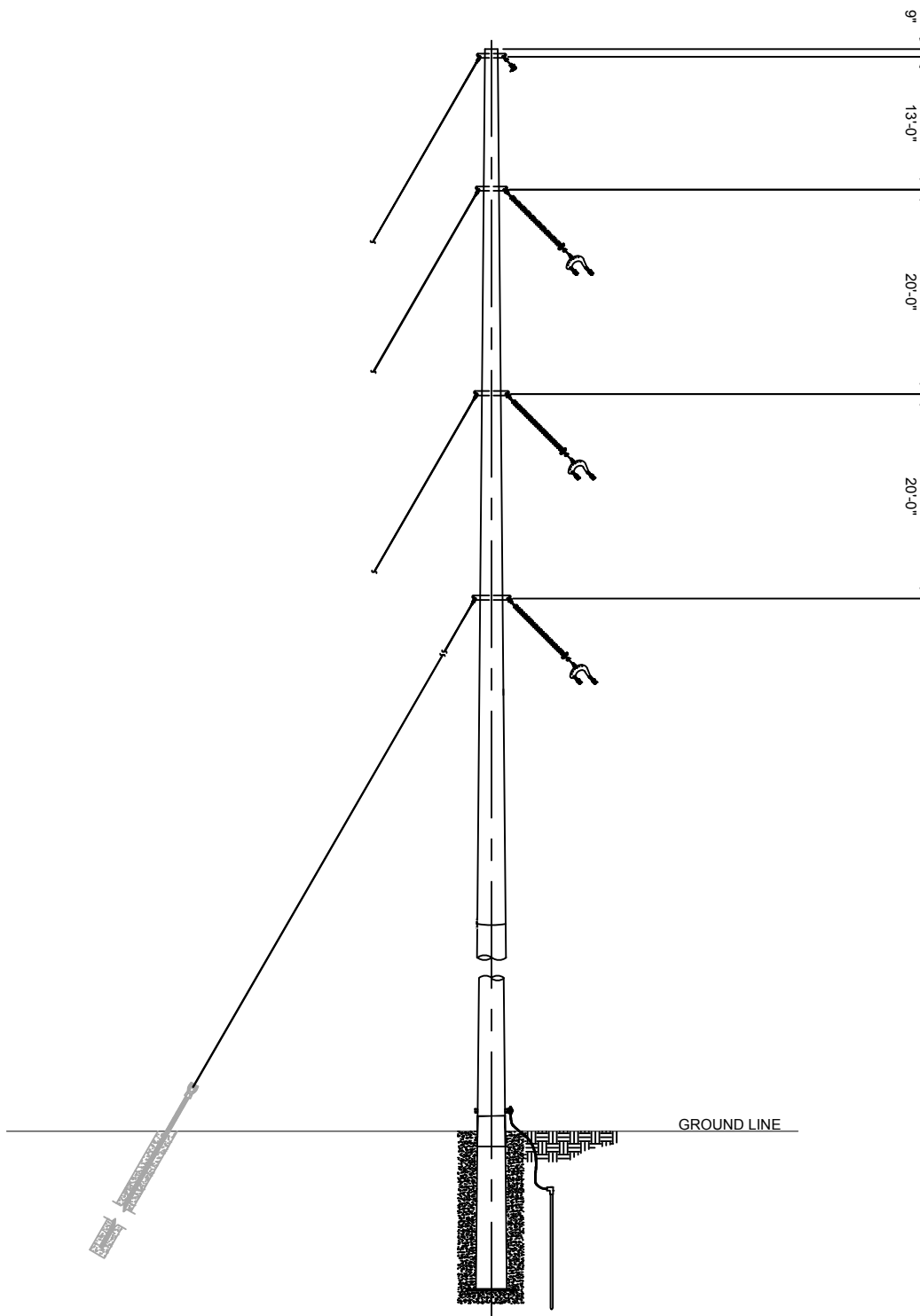
detailed	M. PEPICH
checked	A. OVERSCHMIDT

drawing	CR1-00946
---------	-----------

sheet	1	rev.	A
-------	---	------	---

no.	date	by	ckd	description
A	8/16/17	MSP	JPC	ISSUED FOR REVIEW

**THIS DOCUMENT IS PRELIMINARY IN NATURE AND IS NOT A FINAL, SIGNED AND SEALED DOCUMENT.**



COPYRIGHT © 2017 BURNS & McDONNELL ENGINEERING COMPANY, INC.



9400 WARD PARKWAY, KANSAS CITY, MO 64114

PROJECT 98748

CROWNED RIDGE WIND, LLC  
700 UNIVERSE BLVD.  
JUNO BEACH, FL 33408

**CROWNED RIDGE 1 230KV T/L PROJECT**  
EXHIBIT DRAWING  
TYPICAL STRUCTURE LAYOUT  
MONOPOLE GUYED RUNNING ANGLE

A	8/16/17	MSP	JPC	ISSUED FOR REVIEW
---	---------	-----	-----	-------------------

date	8/16/2017
designed	M. PEPICH

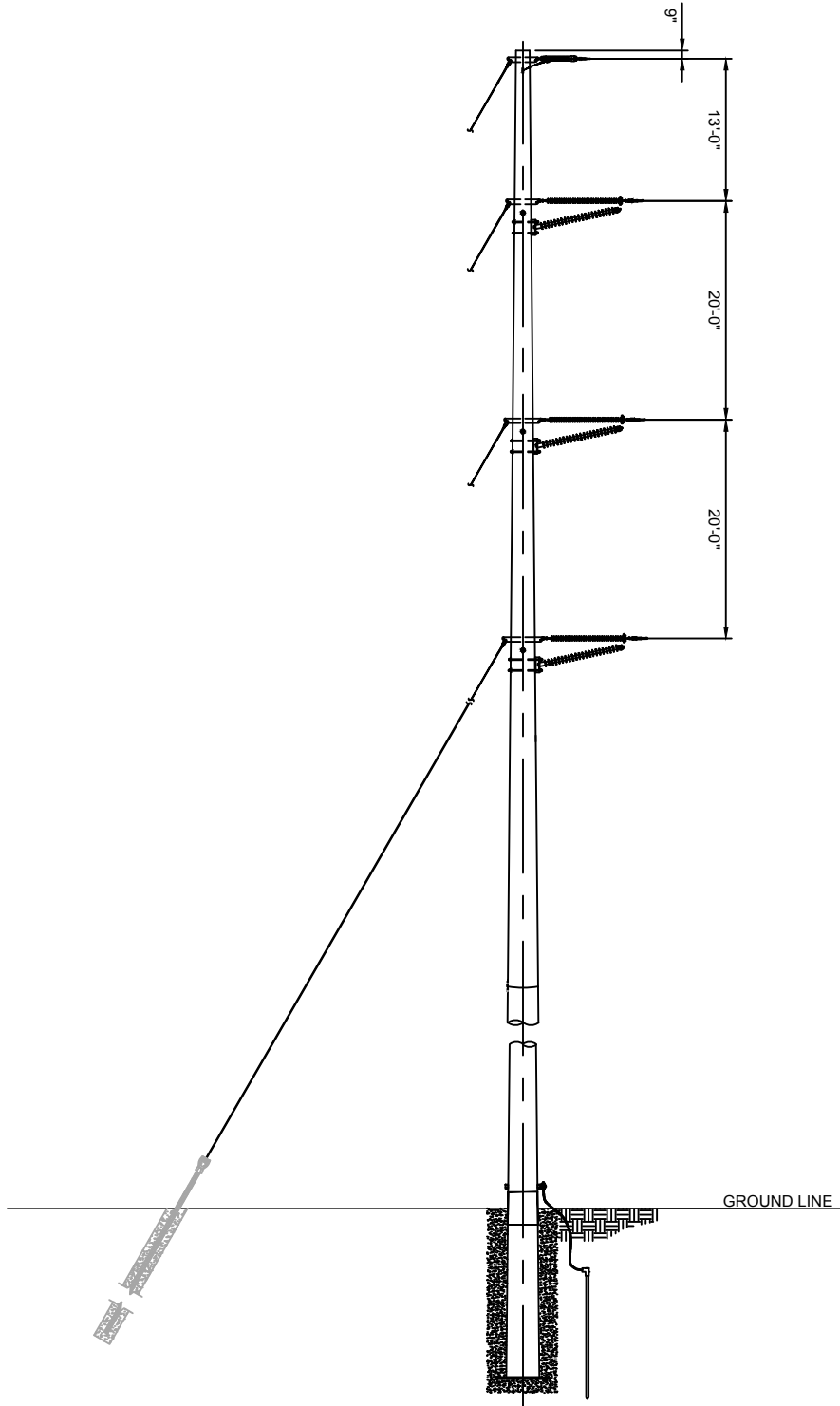
detailed	M. PEPICH
checked	A. OVERSCHMIDT

drawing	CR1-00947
---------	-----------

sheet	1	rev.	A
-------	---	------	---

no.	date	by	ckd	description
-----	------	----	-----	-------------

**THIS DOCUMENT IS PRELIMINARY IN NATURE AND IS NOT A FINAL, SIGNED AND SEALED DOCUMENT.**



COPYRIGHT © 2017 BURNS & McDONNELL ENGINEERING COMPANY, INC.



9400 WARD PARKWAY, KANSAS CITY, MO 64114

PROJECT 98748

CROWNED RIDGE WIND, LLC  
700 UNIVERSE BLVD.  
JUNO BEACH, FL 33408

**CROWNED RIDGE 1 230KV T/L PROJECT**  
EXHIBIT DRAWING  
TYPICAL STRUCTURE LAYOUT  
MONOPOLE GUYED DEADEND

A	8/16/17	MSP	JPC	ISSUED FOR REVIEW
---	---------	-----	-----	-------------------

date	8/16/2017
------	-----------

detailed	M. PEPICH
----------	-----------

designed	M. PEPICH
----------	-----------

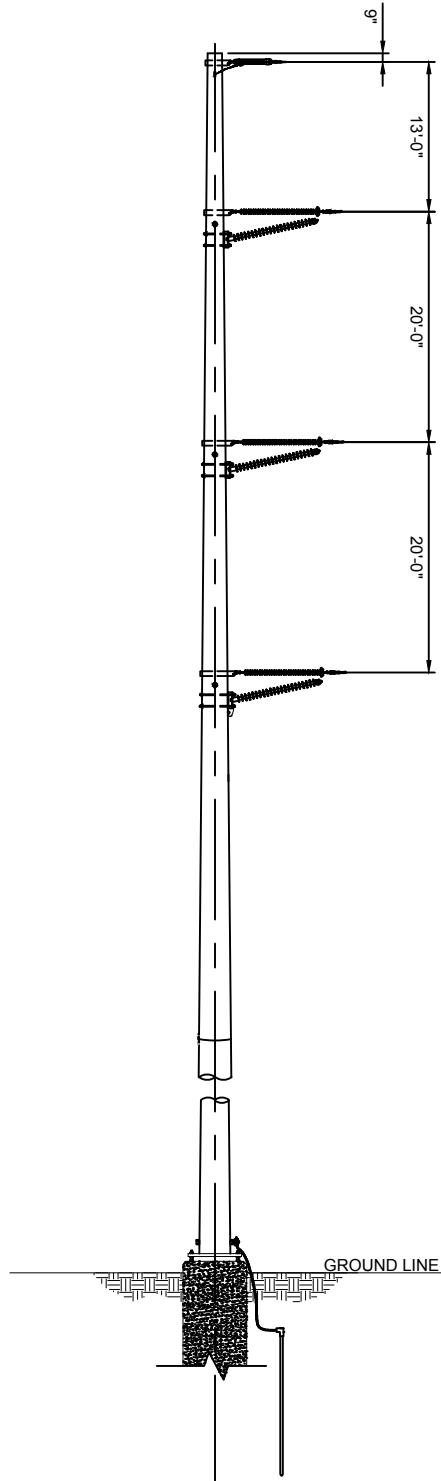
checked	A. OVERSCHMIDT
---------	----------------

drawing	CR1-00948
---------	-----------

sheet	1	rev.	A
-------	---	------	---

no.	date	by	ckd	description
-----	------	----	-----	-------------

**THIS DOCUMENT IS PRELIMINARY IN NATURE AND IS NOT A FINAL, SIGNED AND SEALED DOCUMENT.**



COPYRIGHT © 2017 BURNS & McDONNELL ENGINEERING COMPANY, INC.



9400 WARD PARKWAY, KANSAS CITY, MO 64114

PROJECT 98748

CROWNED RIDGE WIND, LLC  
700 UNIVERSE BLVD.  
JUNO BEACH, FL 33408

**CROWNED RIDGE 1 230KV T/L PROJECT**  
EXHIBIT DRAWING  
TYPICAL STRUCTURE LAYOUT  
MONOPOLE SELF-SUPPORTED DEADEND

A	8/16/17	MSP	JPC	ISSUED FOR REVIEW
---	---------	-----	-----	-------------------

date	8/16/2017
designed	M. PEPICH

detailed	M. PEPICH
checked	A. OVERSCHMIDT

drawing	CR1-00949
---------	-----------

sheet	1	rev.	A
-------	---	------	---

no.	date	by	ckd	description
-----	------	----	-----	-------------