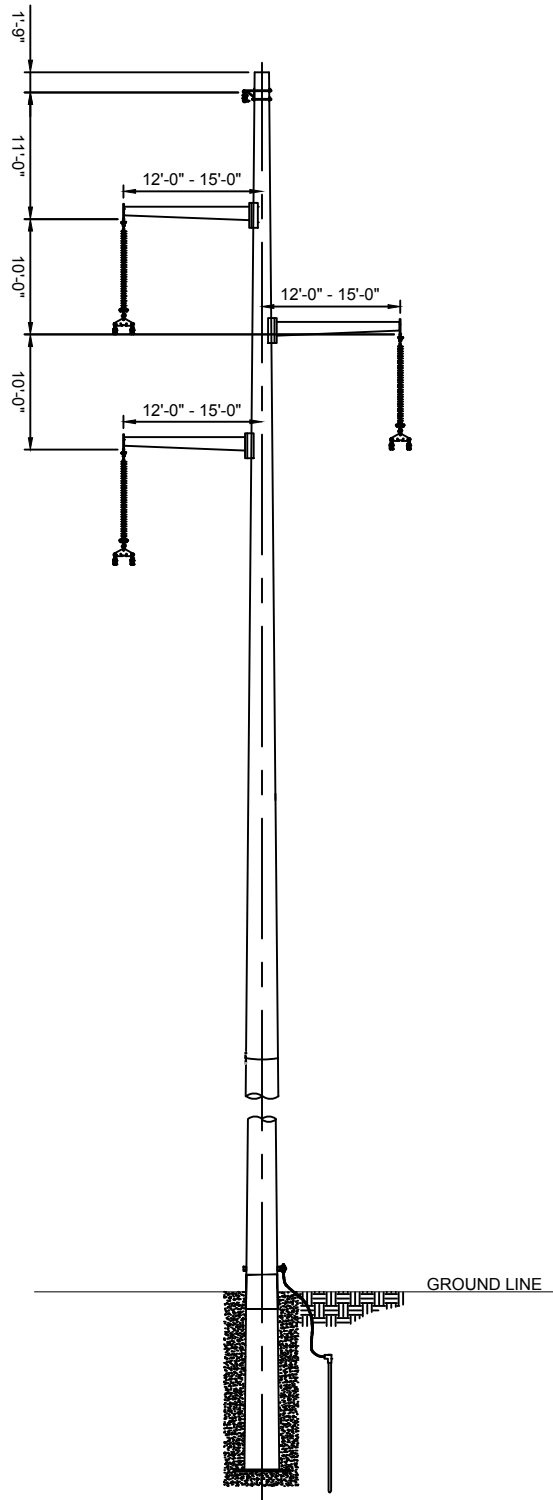


THIS DOCUMENT IS PRELIMINARY IN NATURE AND IS NOT A FINAL, SIGNED AND SEALED DOCUMENT.



NOTES:

1. DIMENSIONS AND GENERAL CONFIGURATION SHOWN ARE BASED ON PRELIMINARY DESIGN INFORMATION AND ARE SUBJECT TO MINOR VARIATIONS IF REQUIRED DURING DETAILED DESIGN.

COPYRIGHT © 2017 BURNS & McDONNELL ENGINEERING COMPANY, INC.



9400 WARD PARKWAY, KANSAS CITY, MO 64114

PROJECT 98748

CROWNED RIDGE WIND, LLC
700 UNIVERSE BLVD.
JUNO BEACH, FL 33408

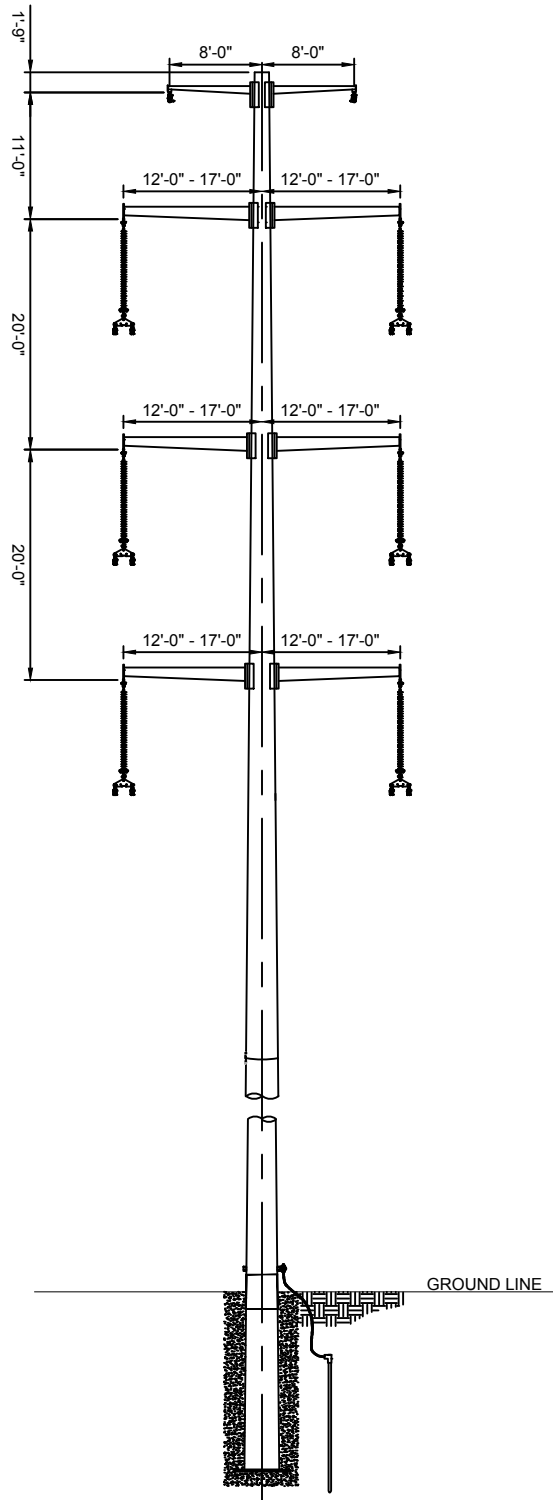
CROWNED RIDGE 1 230kV T/L PROJECT
EXHIBIT DRAWING
TYPICAL STRUCTURE LAYOUT
MONOPOLE TANGENT
SINGLE-CIRCUIT OPTION

A	9/6/17	MSP	JPC	ISSUED FOR SD PUC APPLICATION
no.	date	by	ckd	description

date	9/6/2017	detailed	M. PEPICH
designed	M. PEPICH	checked	A. OVERSCHMIDT

drawing	CR1-00946	sheet	1	rev.	A
---------	-----------	-------	---	------	---

THIS DOCUMENT IS PRELIMINARY IN NATURE AND IS NOT A FINAL, SIGNED AND SEALED DOCUMENT.



NOTES:

1. DIMENSIONS AND GENERAL CONFIGURATION SHOWN ARE BASED ON PRELIMINARY DESIGN INFORMATION AND ARE SUBJECT TO MINOR VARIATIONS IF REQUIRED DURING DETAILED DESIGN.



9400 WARD PARKWAY, KANSAS CITY, MO 64114

PROJECT 98748

CROWNED RIDGE WIND, LLC
700 UNIVERSE BLVD.
JUNO BEACH, FL 33408

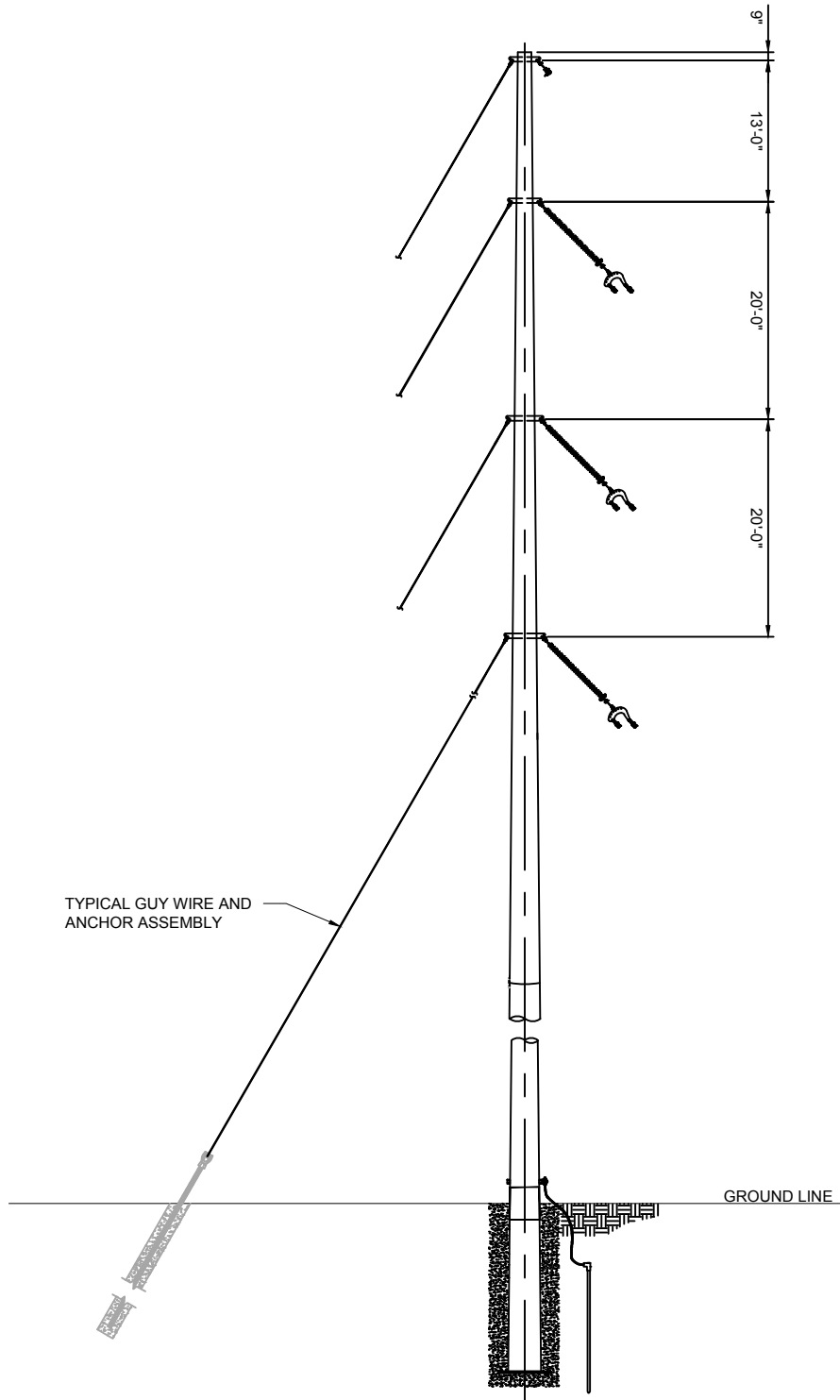
CROWNED RIDGE 1 230KV T/L PROJECT
EXHIBIT DRAWING
TYPICAL STRUCTURE LAYOUT
DOUBLE-CIRCUIT MONOPOLE TANGENT
DOUBLE-CIRCUIT OPTION

A	9/6/17	MSP	JPC	ISSUED FOR SD PUC APPLICATION
no.	date	by	ckd	description

date	9/6/2017	detailed	M. PEPICH
designed	M. PEPICH	checked	A. OVERSCHMIDT

drawing	CR1-00946	sheet	2	rev.	A
---------	-----------	-------	---	------	---

THIS DOCUMENT IS PRELIMINARY IN NATURE AND IS NOT A FINAL, SIGNED AND SEALED DOCUMENT.



NOTES:
 1. DIMENSIONS AND GENERAL CONFIGURATION SHOWN ARE BASED ON PRELIMINARY DESIGN INFORMATION AND ARE SUBJECT TO MINOR VARIATIONS IF REQUIRED DURING DETAILED DESIGN.

COPYRIGHT © 2017 BURNS & McDONNELL ENGINEERING COMPANY, INC.



9400 WARD PARKWAY, KANSAS CITY, MO 64114

PROJECT 98748

CROWNED RIDGE WIND, LLC
 700 UNIVERSE BLVD.
 JUNO BEACH, FL 33408

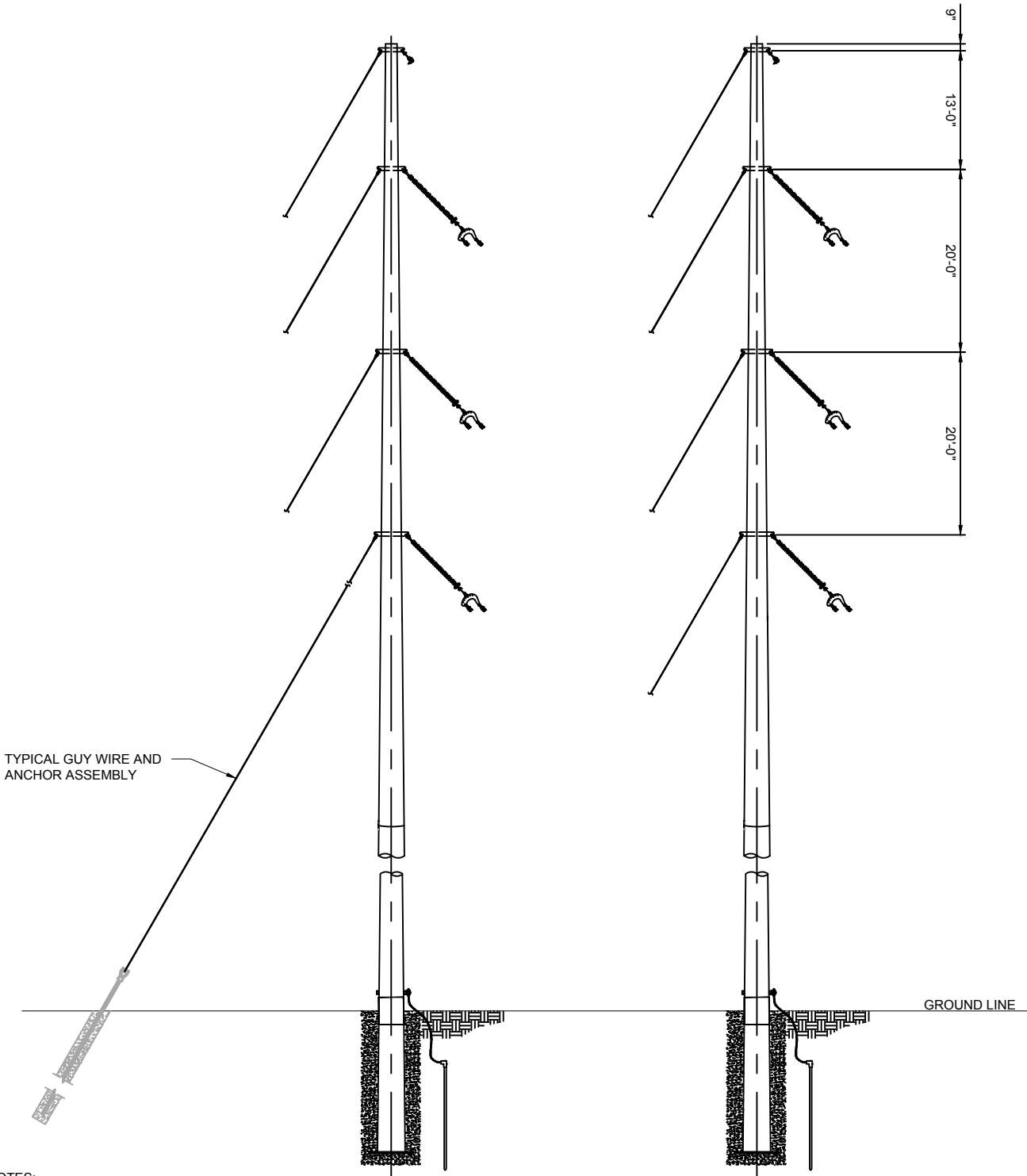
CROWNED RIDGE 1 230KV T/L PROJECT
 EXHIBIT DRAWING
 TYPICAL STRUCTURE LAYOUT
 MONOPOLE GUYED RUNNING ANGLE
 SINGLE-CIRCUIT OPTION

A	9/6/17	MSP	JPC	ISSUED FOR SD PUC APPLICATION
no.	date	by	ckd	description

date	9/6/2017	detailed	M. PEPICH
designed	M. PEPICH	checked	A. OVERSCHMIDT

drawing	CR1-00947	sheet	1	rev.	A
---------	-----------	-------	---	------	---

THIS DOCUMENT IS PRELIMINARY IN NATURE AND IS NOT A FINAL, SIGNED AND SEALED DOCUMENT.



NOTES:
 1. DIMENSIONS AND GENERAL CONFIGURATION SHOWN ARE BASED ON PRELIMINARY DESIGN INFORMATION AND ARE SUBJECT TO MINOR VARIATIONS IF REQUIRED DURING DETAILED DESIGN.

COPYRIGHT © 2017 BURNS & McDONNELL ENGINEERING COMPANY, INC.



9400 WARD PARKWAY, KANSAS CITY, MO 64114

PROJECT 98748

CROWNED RIDGE WIND, LLC
 700 UNIVERSE BLVD.
 JUNO BEACH, FL 33408

CROWNED RIDGE 1 230KV T/L PROJECT
 EXHIBIT DRAWING
 TYPICAL STRUCTURE LAYOUT
 2-POLE GUYED RUNNING ANGLE
 DOUBLE-CIRCUIT OPTION

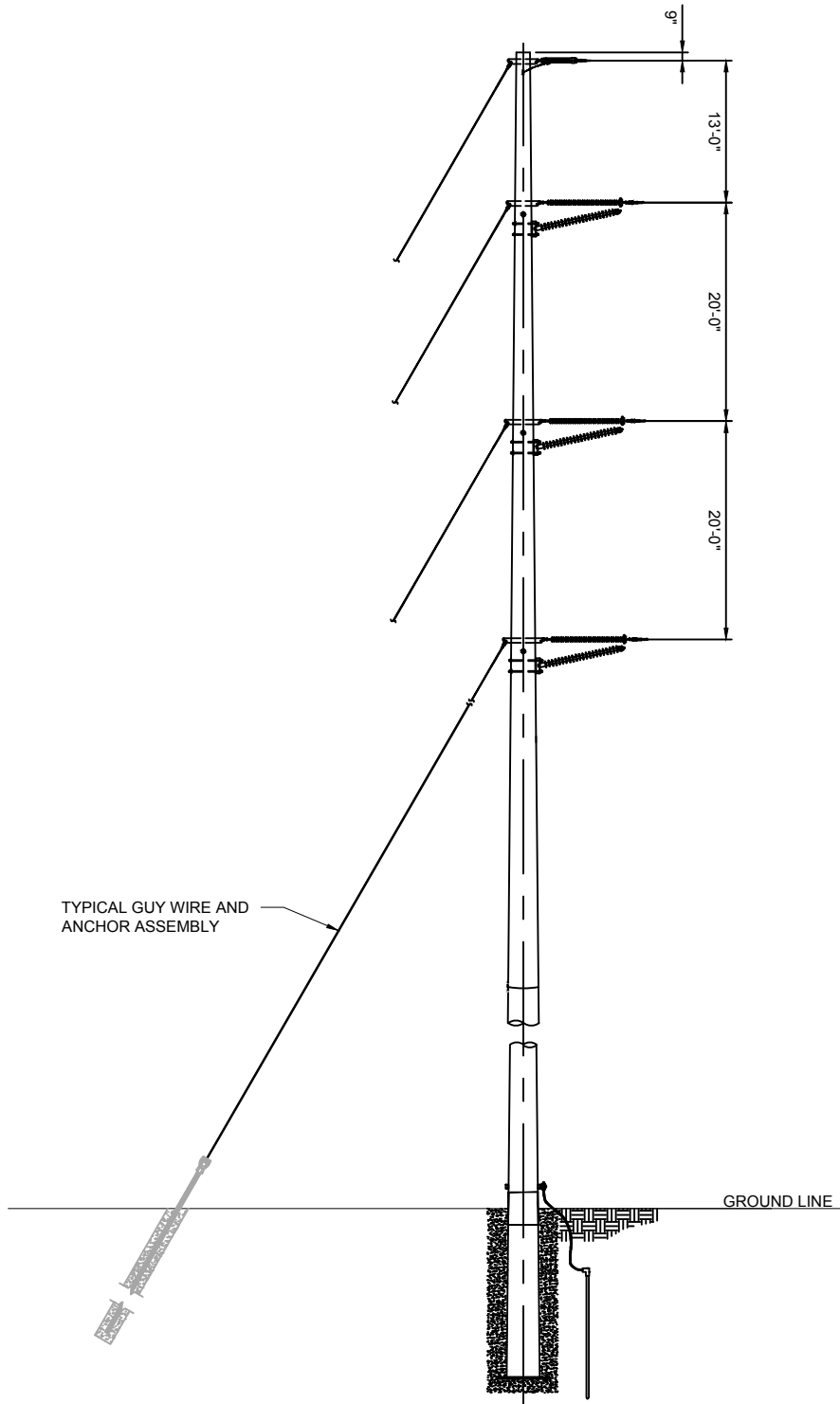
A	9/6/17	MSP	JPC	ISSUED FOR SD PUC APPLICATION
no.	date	by	ckd	description

date	9/6/2017	detailed	M. PEPICH
designed	M. PEPICH	checked	A. OVERSCHMIDT

drawing CR1-00947

sheet	2	rev.	A
-------	---	------	---

THIS DOCUMENT IS PRELIMINARY IN NATURE AND IS NOT A FINAL, SIGNED AND SEALED DOCUMENT.



NOTES:

1. DIMENSIONS AND GENERAL CONFIGURATION SHOWN ARE BASED ON PRELIMINARY DESIGN INFORMATION AND ARE SUBJECT TO MINOR VARIATIONS IF REQUIRED DURING DETAILED DESIGN.

COPYRIGHT © 2017 BURNS & McDONNELL ENGINEERING COMPANY, INC.



9400 WARD PARKWAY, KANSAS CITY, MO 64114

PROJECT 98748

CROWNED RIDGE WIND, LLC
700 UNIVERSE BLVD.
JUNO BEACH, FL 33408

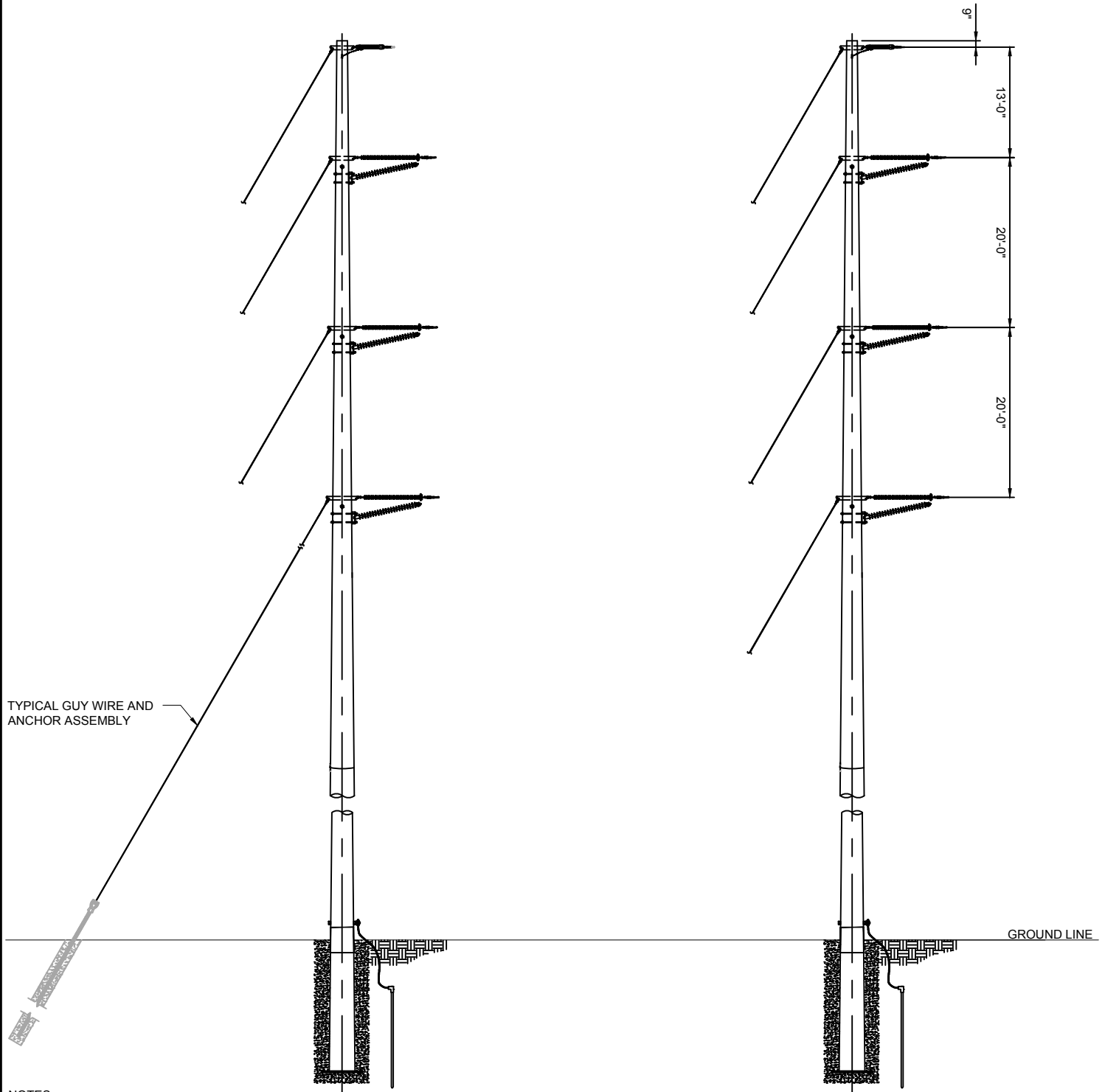
CROWNED RIDGE 1 230KV T/L PROJECT
EXHIBIT DRAWING
TYPICAL STRUCTURE LAYOUT
MONOPOLE GUYED DEADEND
SINGLE-CIRCUIT OPTION

A	9/6/17	MSP	JPC	ISSUED FOR SD PUC APPLICATION
no.	date	by	ckd	description

date	9/6/2017	detailed	M. PEPICH
designed	M. PEPICH	checked	A. OVERSCHMIDT

drawing	CR1-00948	sheet	1	rev.	A
---------	-----------	-------	---	------	---

THIS DOCUMENT IS PRELIMINARY IN NATURE AND IS NOT A FINAL, SIGNED AND SEALED DOCUMENT.



NOTES:
 1. DIMENSIONS AND GENERAL CONFIGURATION SHOWN ARE BASED ON PRELIMINARY DESIGN INFORMATION AND ARE SUBJECT TO MINOR VARIATIONS IF REQUIRED DURING DETAILED DESIGN.

COPYRIGHT © 2017 BURNS & McDONNELL ENGINEERING COMPANY, INC.



9400 WARD PARKWAY, KANSAS CITY, MO 64114

PROJECT 98748

CROWNED RIDGE WIND, LLC
 700 UNIVERSE BLVD.
 JUNO BEACH, FL 33408

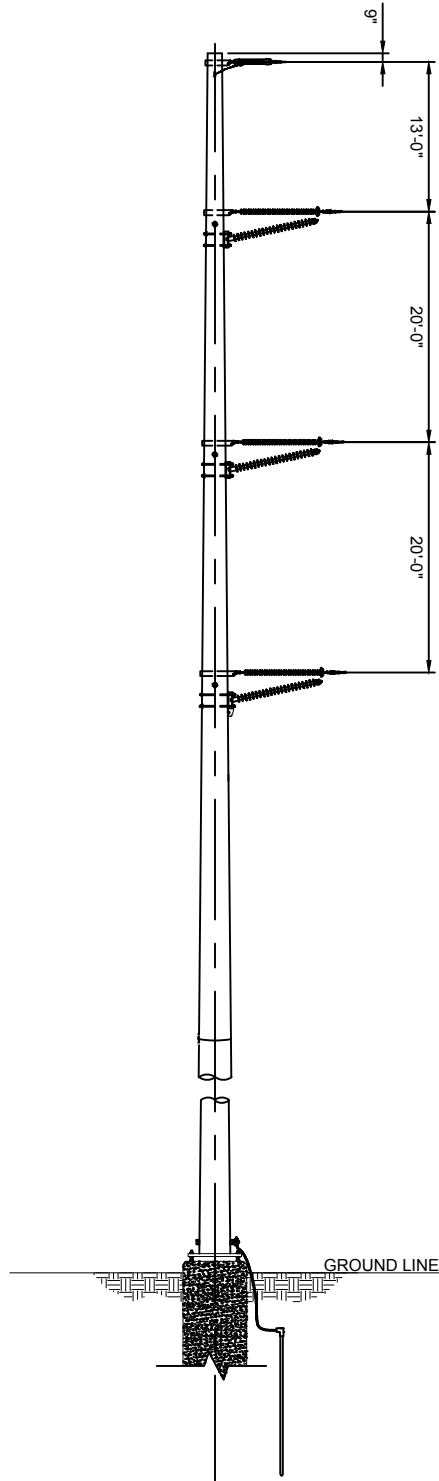
CROWNED RIDGE 1 230KV T/L PROJECT
 EXHIBIT DRAWING
 TYPICAL STRUCTURE LAYOUT
 2-POLE GUYED DEADEND
 DOUBLE-CIRCUIT OPTION

A	9/6/17	MSP	JPC	ISSUED FOR SD PUC APPLICATION
no.	date	by	ckd	description

date	9/6/2017	detailed	M. PEPICH
designed	M. PEPICH	checked	A. OVERSCHMIDT

drawing	CR1-00948	sheet	2	rev.	A
---------	-----------	-------	---	------	---

THIS DOCUMENT IS PRELIMINARY IN NATURE AND IS NOT A FINAL, SIGNED AND SEALED DOCUMENT.



NOTES:

1. DIMENSIONS AND GENERAL CONFIGURATION SHOWN ARE BASED ON PRELIMINARY DESIGN INFORMATION AND ARE SUBJECT TO MINOR VARIATIONS IF REQUIRED DURING DETAILED DESIGN.

COPYRIGHT © 2017 BURNS & McDONNELL ENGINEERING COMPANY, INC.



9400 WARD PARKWAY, KANSAS CITY, MO 64114

PROJECT 98748

CROWNED RIDGE WIND, LLC
700 UNIVERSE BLVD.
JUNO BEACH, FL 33408

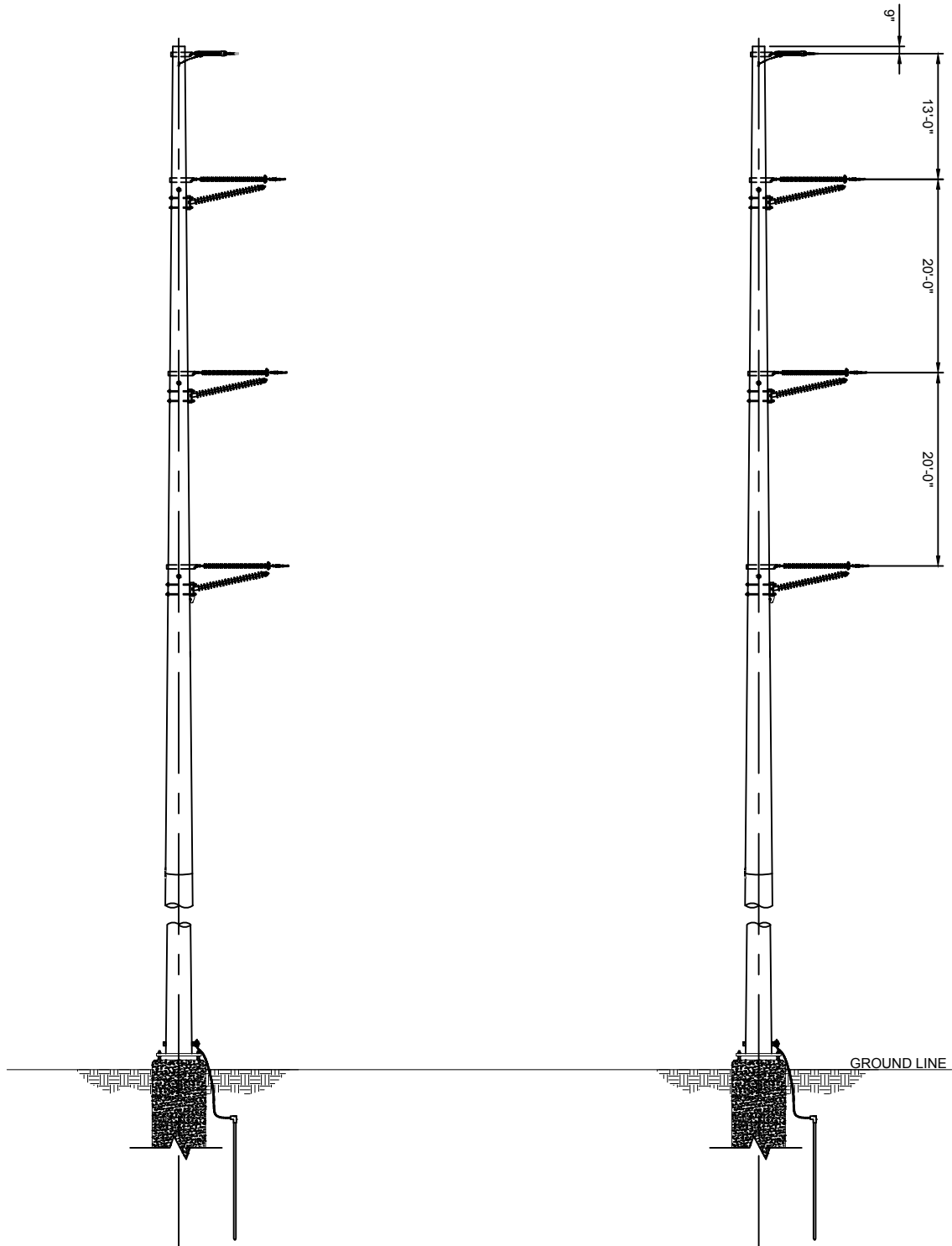
CROWNED RIDGE 1 230KV T/L PROJECT
EXHIBIT DRAWING
TYPICAL STRUCTURE LAYOUT
MONOPOLE SELF-SUPPORTED DEADEND
SINGLE-CIRCUIT OPTION

A	9/6/17	MSP	JPC	ISSUED FOR SD PUC APPLICATION
no.	date	by	ckd	description

date	9/6/2017	detailed	M. PEPICH
designed	M. PEPICH	checked	A. OVERSCHMIDT

drawing	CR1-00949	sheet	1	rev.	A
---------	-----------	-------	---	------	---

THIS DOCUMENT IS PRELIMINARY IN NATURE AND IS NOT A FINAL, SIGNED AND SEALED DOCUMENT.



NOTES:
 1. DIMENSIONS AND GENERAL CONFIGURATION SHOWN ARE BASED ON PRELIMINARY DESIGN INFORMATION AND ARE SUBJECT TO MINOR VARIATIONS IF REQUIRED DURING DETAILED DESIGN.

COPYRIGHT © 2017 BURNS & McDONNELL ENGINEERING COMPANY, INC.



9400 WARD PARKWAY, KANSAS CITY, MO 64114

PROJECT 98748

CROWNED RIDGE WIND, LLC
 700 UNIVERSE BLVD.
 JUNO BEACH, FL 33408

CROWNED RIDGE 1 230KV T/L PROJECT
 EXHIBIT DRAWING
 TYPICAL STRUCTURE LAYOUT
 2-POLE SELF-SUPPORTED DEADEND
 DOUBLE-CIRCUIT OPTION

A	9/6/17	MSP	JPC	ISSUED FOR SD PUC APPLICATION
no.	date	by	ckd	description

date	9/6/2017	detailed	M. PEPICH
designed	M. PEPICH	checked	A. OVERSCHMIDT

drawing	CR1-00949
---------	-----------

sheet	2	rev.	A
-------	---	------	---