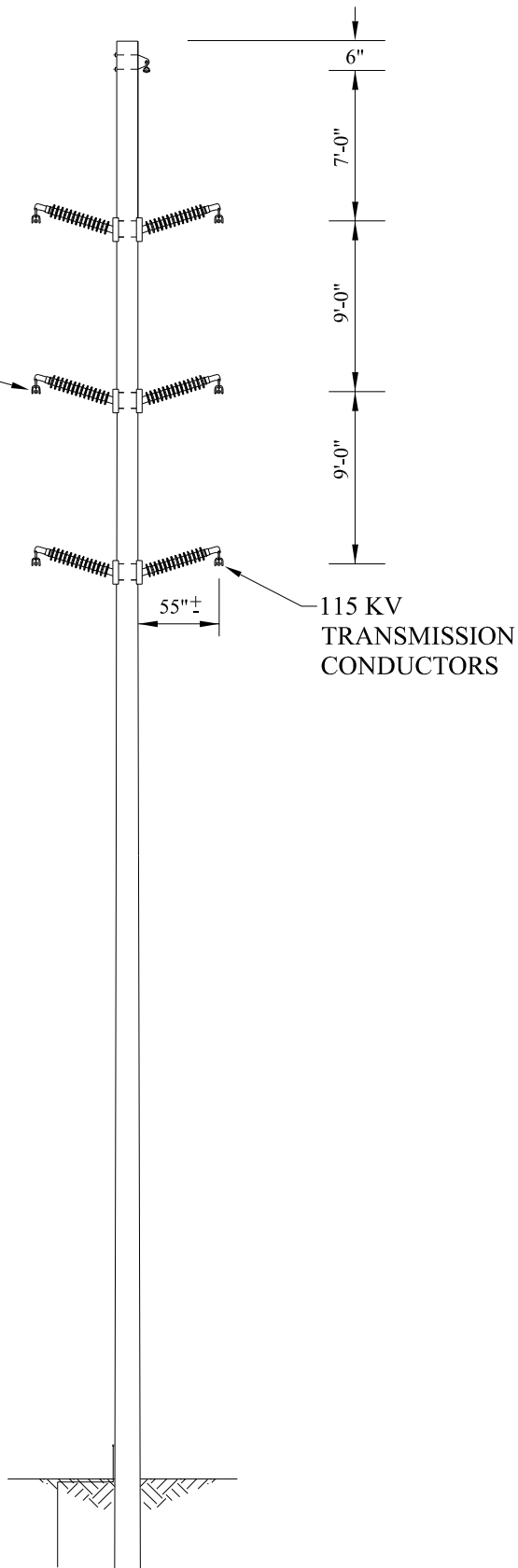


69 KV
TRANSMISSION
CONDUCTORS



115 KV
TRANSMISSION
CONDUCTORS

55"±

6"
7'-0"
9'-0"
9'-0"

REV	DATE	APP	DESCRIPTION



Date: 1-08
Designed By: DJH
Project Manager: DJH
Project Number: 421601

EAST RIVER ELECTRIC
POWER COOPERATIVE
MADISON, SOUTH DAKOTA

TYPICAL TANGENT
STRUCTURE
PROPOSED 69/115 KV
TRANSMISSION LINE

DWG
NO
EXHIBIT
6