

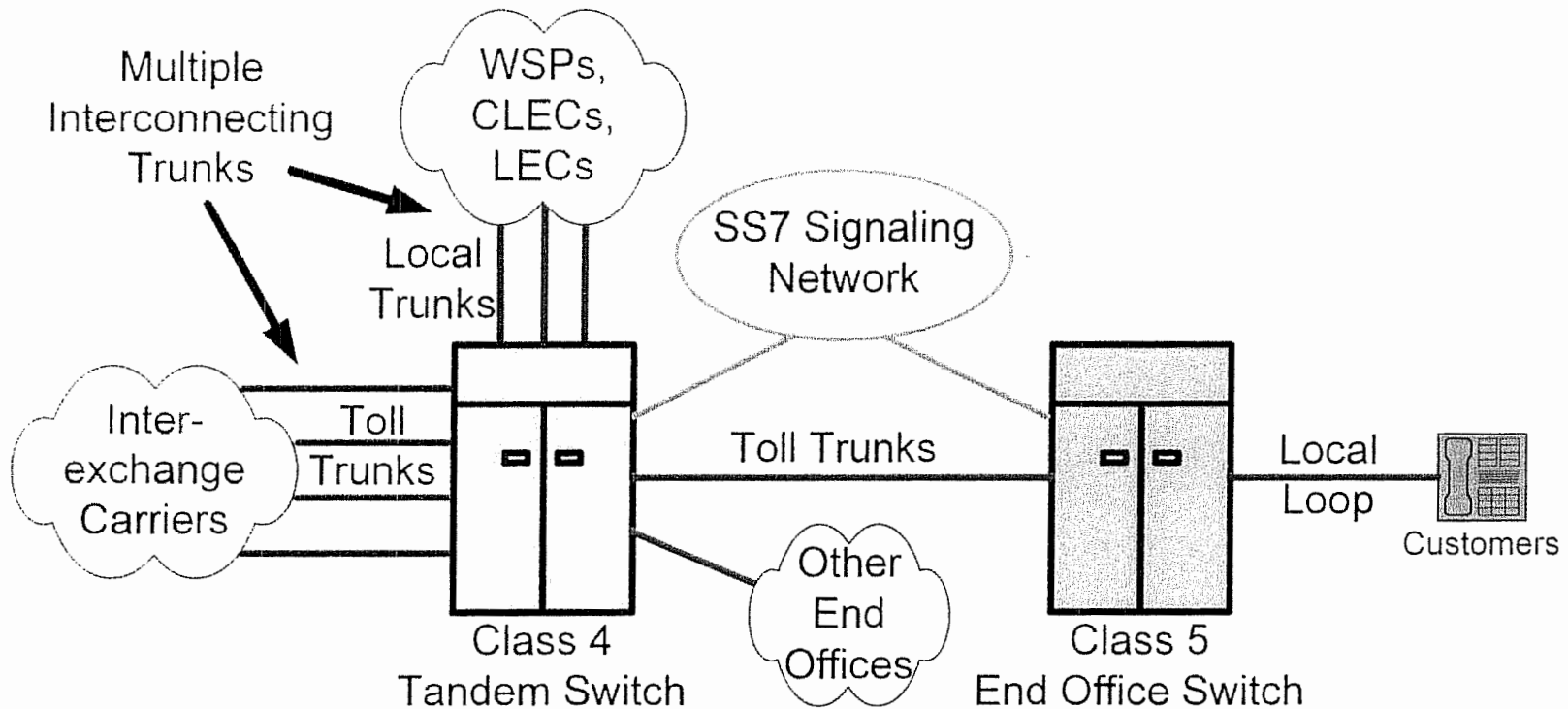
# **Expert Report of Larry Thompson**

*Prepared for*

*Civil No. 04-3014, U.S. District Court,  
District of South Dakota, Central Division*

***EXHIBIT 1***

# Switching Network



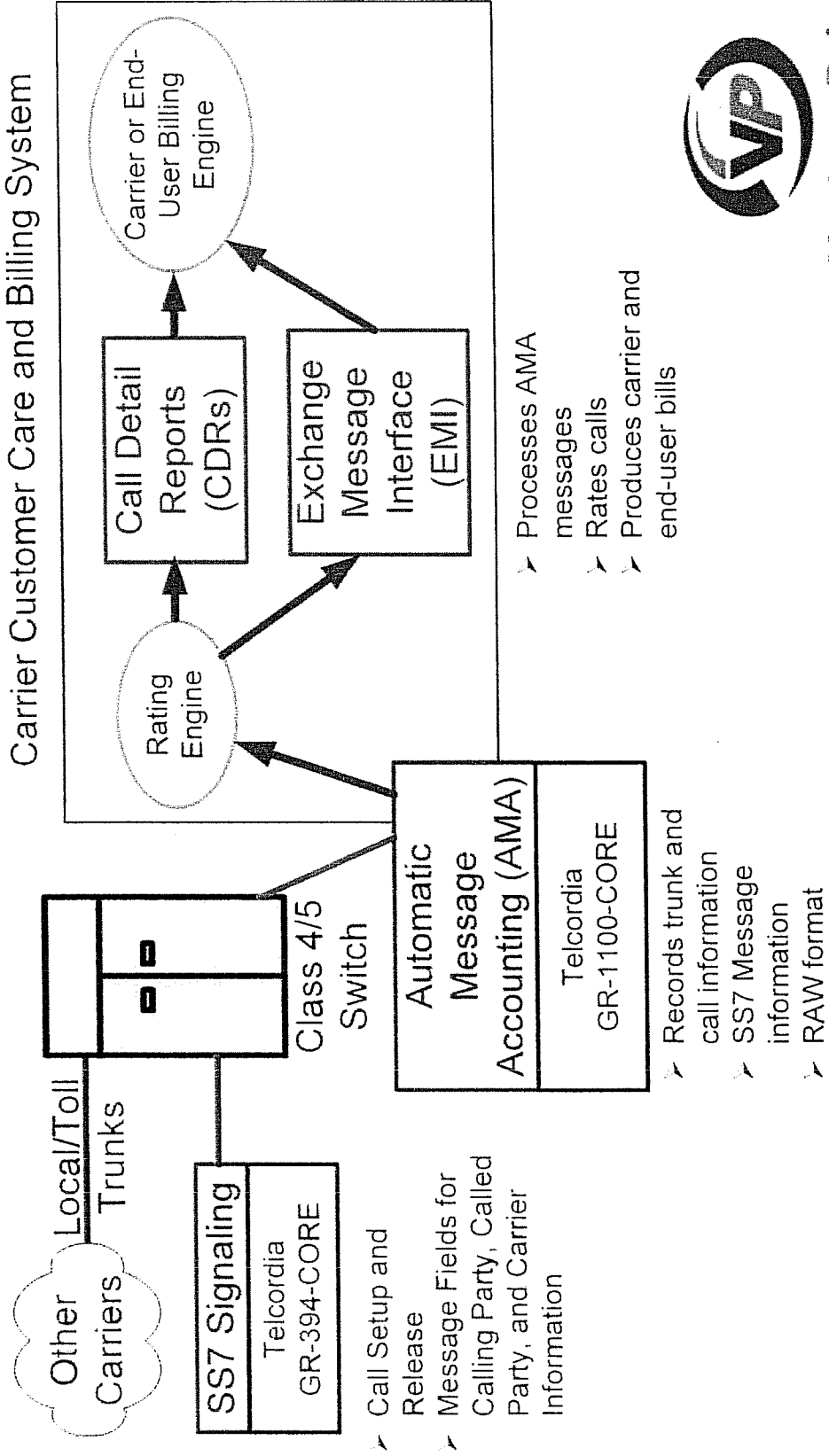
Switches Can Record Call Information Based on SS7, Trunk, and Switch Parameters



**Vantage Point**

Customer Focused Technology Driven

# Carrier Call Information Processing



**Vantage Point**

Customer Focused Technology Driven

# SS7 Signaling Overview

- Signaling protocol used between switches in the PSTN
- Sets up and releases call paths
- Call setup messages has fields for
  - Calling party number
  - Called party number
  - Local Routing Number
  - Carrier Identification Number
  - Many other fields . . .



**Vantage Point**

Customer Focused Technology Driven

# AMA Record Overview

- Records detailed information about each call
- SS7 Parameters
  - Calling and Called Number
  - Disconnect method
  - Jurisdiction Information, etc.
- Switch information
  - Trunk, etc.
- Call parameters
  - Duration
  - Time of day, etc.



**Vantage Point**

Customer Focused Technology Driven